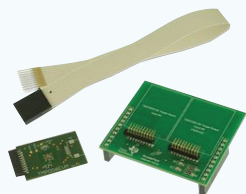
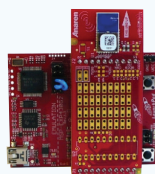


BoosterPack Ecosystem



TMP006 Infrared MEMS temperature sensor BoosterPack
 - I2C-based temperature sensor can read surface temperature without making contact
 - Can enable real-time readings or datalogging



Sub-GHz RF BoosterPack
 - CC110L RF transceiver
 - Great RF range!
 - Includes 2x RF BoosterPacks
 - Prototyping area
 - Send & Receive RF data easily

>> See them all @ ti.com/boosterpacks

Software Tools



Energia
 A simple open-source & community-driven code editor.

Easy-to-use functions for blinking LEDs, buzzing buzzers & sensing sensors.
 >> www.energia.nu



Professional Software tools
 LaunchPad is also supported by professional IDEs that provide industrial-grade features and full debug-capability. Set breakpoints, watch variables & more with LaunchPad.
 >> www.ti.com/ccs

© 2013 Texas Instruments Incorporated. The platform bar, MSP430, and Code Composer Studio are trademarks of Texas Instruments. All other trademarks are the property of their respective owners. Disclaimer: www.ti.com/lit/sslz027

Meet the MSP430F5529

LaunchPad Evaluation Kit

Part Number: MSP-EXP430F5529LP



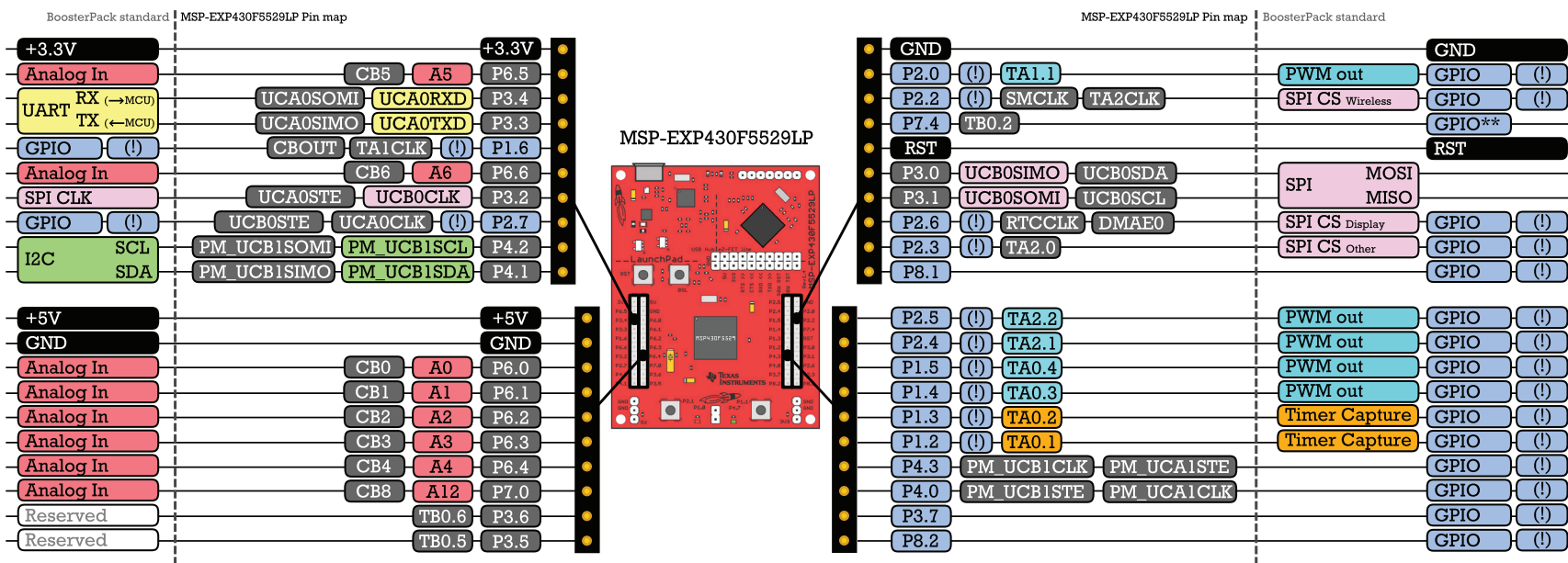
Below are the pins exposed @ the MSP-EXP430F5529LP BoosterPack connector.

Also shown are functions that map with the BoosterPack pinout standard. Refer to the MSP430F5529 Datasheet for additional details.

NOTE: Some LaunchPads & BoosterPacks do not 100% comply with the standard, so please check your specific LaunchPad to ensure pin compatibility.

(!) Denotes I/O pins that are interrupt-capable.

** Some LaunchPads do not have a GPIO here. De-prioritize this pin when making a BoosterPack.



Resources @ ti.com/launchpad

Code examples
 Open Source Design Files
 Documentation
 Example projects
 Videos
 Tutorials
 Other TI products

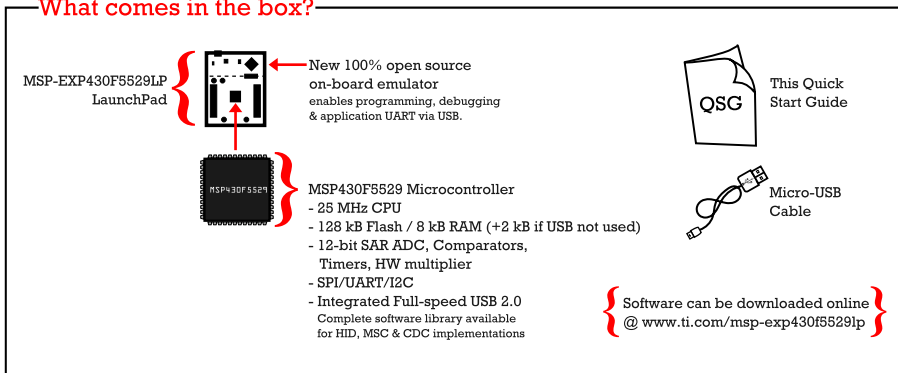
A closer look at your new LaunchPad

Featured microcontroller: MSP430F5529

This LaunchPad is great for...

- General purpose applications due to its 25MHz CPU, integrated Full-speed USB 2.0 & analog/digital integration
- Battery-operated applications thanks to its low-power capabilities
- Beginners & experienced developers alike thanks to its multiple points of entry into software development (Energia for beginners & industrial-grade tools like CCS or IAR for more advanced development)

What comes in the box?



Let's get started!

See the unboxing & demo video for this LaunchPad @ ti.com/msp-exp430f5529lp

The out-of-box demo:

The MSP-EXP430F5529LP LaunchPad features an MSP430F5529 device that is pre-loaded with some demo functionality.

1. Connecting the hardware

Connect the LaunchPad using the included USB cable to a computer. If prompted, let it install necessary software.

2. The Demo Application

When connected to your computer, the device enumerates on the computer as a composite USB device to demonstrate 2 USB implementations.

MSC (Mass Storage Class) Hard drive

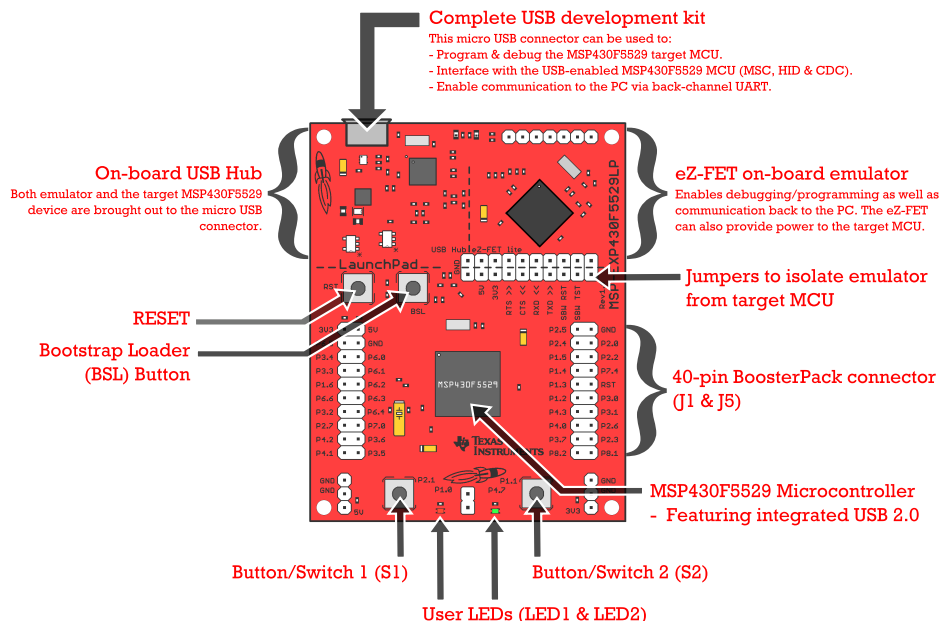
When plugged in over USB, the LaunchPad enumerates as a Mass Storage Class device. The LaunchPad shows up as a removable disk ("F5529LP") on the computer and contains several files on FAT volume.

- Button1.txt = "Hello World"
- Button2.txt = This contains ASCII art of the LaunchPad "Rocket" logo
- MSP430_USB_LaunchPad.url
- ReadMe.txt

HID (Human Interface Device) Keyboard

The LaunchPad also enumerates as a HID Keyboard. By pressing S1 or S2 button on your LaunchPad, the text stored in the Button1 and Button2.txt files will be sent to your computer as "keystrokes." Open up a text editor to see the incoming characters! You can personalize the pre-set character strings by simply editing the Button1 and Button2.txt files. This demo is limited to 2048 characters in each txt file.

MSP-EXP430F5529LP Overview



3. Finding USB resources

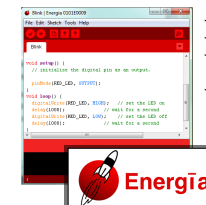
The MSP430F5529 device is supported by a robust USB development ecosystem, which includes open source APIs for MSC, HID & CDC USB implementations. Also, a GUI-based USB descriptor tool is available, which can help you generate your USB drivers to ease your development! You can find more @ www.ti.com/msp430usbdevpack

Where do I go next?

This LaunchPad provides multiple-points of entry in terms of software development. You can use a friendlier code editing tool, such as the open source, community-made Energia, or a full-fledged industrial-grade development environment like Code Composer Studio.

Energia

A wonderful community-driven, open-source code editor that provides a simple & friendly development environment.



- Open source & community-driven
- Based on the Wiring framework
- Robust collection of intuitive function calls & APIs
- Many code example & projects to help you get started quickly

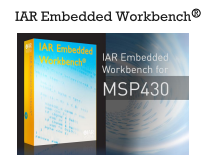
www.energia.nu

Professional Tools

Professional development tools are also available and provide advanced capabilities like full debug support enabling you to set breakpoints, watch variables, step through your code & more.



www.ti.com/ccs



www.ti.com/iar

IMPORTANT NOTICE

Texas Instruments Incorporated and its subsidiaries (TI) reserve the right to make corrections, enhancements, improvements and other changes to its semiconductor products and services per JESD46, latest issue, and to discontinue any product or service per JESD48, latest issue. Buyers should obtain the latest relevant information before placing orders and should verify that such information is current and complete. All semiconductor products (also referred to herein as "components") are sold subject to TI's terms and conditions of sale supplied at the time of order acknowledgment.

TI warrants performance of its components to the specifications applicable at the time of sale, in accordance with the warranty in TI's terms and conditions of sale of semiconductor products. Testing and other quality control techniques are used to the extent TI deems necessary to support this warranty. Except where mandated by applicable law, testing of all parameters of each component is not necessarily performed.

TI assumes no liability for applications assistance or the design of Buyers' products. Buyers are responsible for their products and applications using TI components. To minimize the risks associated with Buyers' products and applications, Buyers should provide adequate design and operating safeguards.

TI does not warrant or represent that any license, either express or implied, is granted under any patent right, copyright, mask work right, or other intellectual property right relating to any combination, machine, or process in which TI components or services are used. Information published by TI regarding third-party products or services does not constitute a license to use such products or services or a warranty or endorsement thereof. Use of such information may require a license from a third party under the patents or other intellectual property of the third party, or a license from TI under the patents or other intellectual property of TI.

Reproduction of significant portions of TI information in TI data books or data sheets is permissible only if reproduction is without alteration and is accompanied by all associated warranties, conditions, limitations, and notices. TI is not responsible or liable for such altered documentation. Information of third parties may be subject to additional restrictions.

Resale of TI components or services with statements different from or beyond the parameters stated by TI for that component or service voids all express and any implied warranties for the associated TI component or service and is an unfair and deceptive business practice. TI is not responsible or liable for any such statements.

Buyer acknowledges and agrees that it is solely responsible for compliance with all legal, regulatory and safety-related requirements concerning its products, and any use of TI components in its applications, notwithstanding any applications-related information or support that may be provided by TI. Buyer represents and agrees that it has all the necessary expertise to create and implement safeguards which anticipate dangerous consequences of failures, monitor failures and their consequences, lessen the likelihood of failures that might cause harm and take appropriate remedial actions. Buyer will fully indemnify TI and its representatives against any damages arising out of the use of any TI components in safety-critical applications.

In some cases, TI components may be promoted specifically to facilitate safety-related applications. With such components, TI's goal is to help enable customers to design and create their own end-product solutions that meet applicable functional safety standards and requirements. Nonetheless, such components are subject to these terms.

No TI components are authorized for use in FDA Class III (or similar life-critical medical equipment) unless authorized officers of the parties have executed a special agreement specifically governing such use.

Only those TI components which TI has specifically designated as military grade or "enhanced plastic" are designed and intended for use in military/aerospace applications or environments. Buyer acknowledges and agrees that any military or aerospace use of TI components which have **not** been so designated is solely at the Buyer's risk, and that Buyer is solely responsible for compliance with all legal and regulatory requirements in connection with such use.

TI has specifically designated certain components as meeting ISO/TS16949 requirements, mainly for automotive use. In any case of use of non-designated products, TI will not be responsible for any failure to meet ISO/TS16949.

Products

Audio	www.ti.com/audio
Amplifiers	amplifier.ti.com
Data Converters	dataconverter.ti.com
DLP® Products	www.dlp.com
DSP	dsp.ti.com
Clocks and Timers	www.ti.com/clocks
Interface	interface.ti.com
Logic	logic.ti.com
Power Mgmt	power.ti.com
Microcontrollers	microcontroller.ti.com
RFID	www.ti-rfid.com
OMAP Applications Processors	www.ti.com/omap
Wireless Connectivity	www.ti.com/wirelessconnectivity

Applications

Automotive and Transportation	www.ti.com/automotive
Communications and Telecom	www.ti.com/communications
Computers and Peripherals	www.ti.com/computers
Consumer Electronics	www.ti.com/consumer-apps
Energy and Lighting	www.ti.com/energy
Industrial	www.ti.com/industrial
Medical	www.ti.com/medical
Security	www.ti.com/security
Space, Avionics and Defense	www.ti.com/space-avionics-defense
Video and Imaging	www.ti.com/video

TI E2E Community

e2e.ti.com