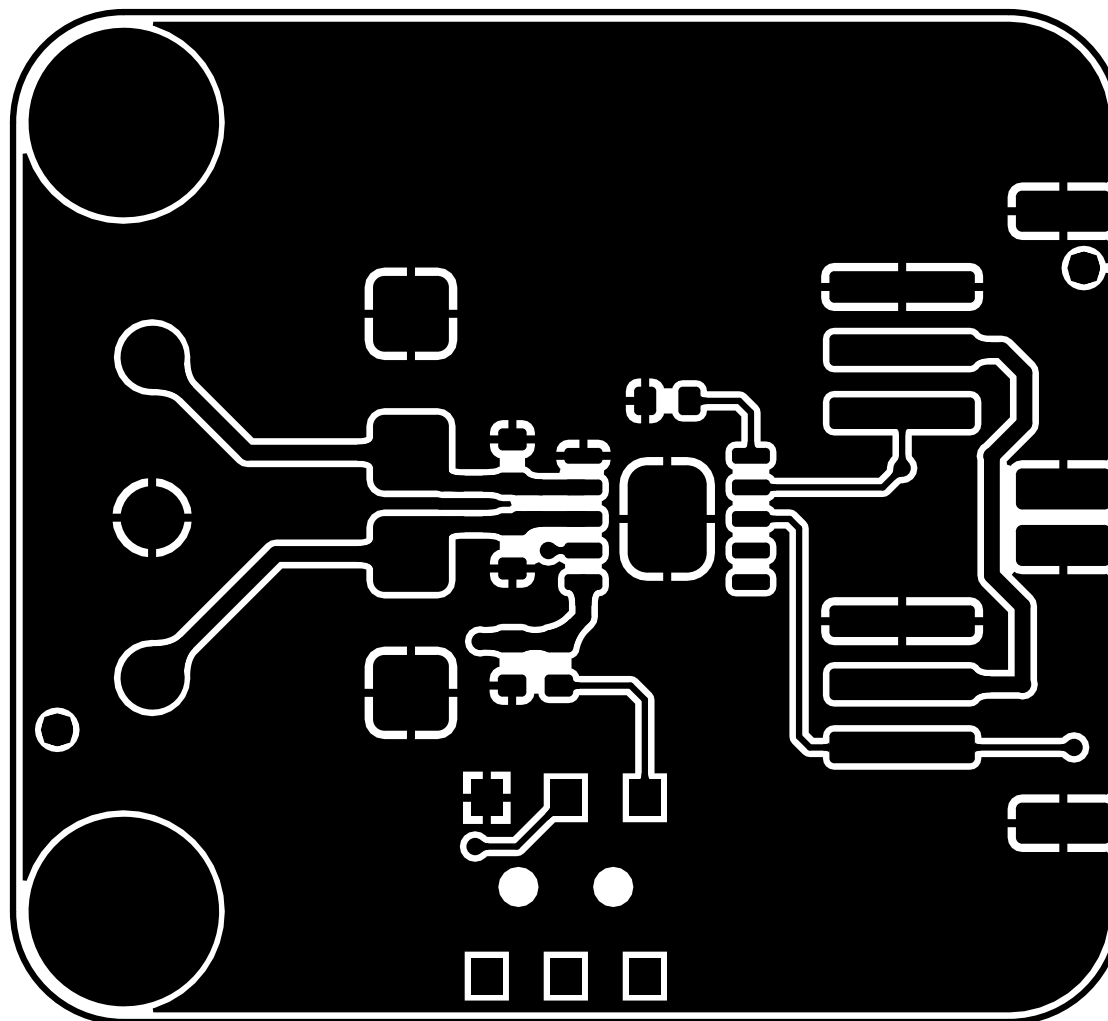
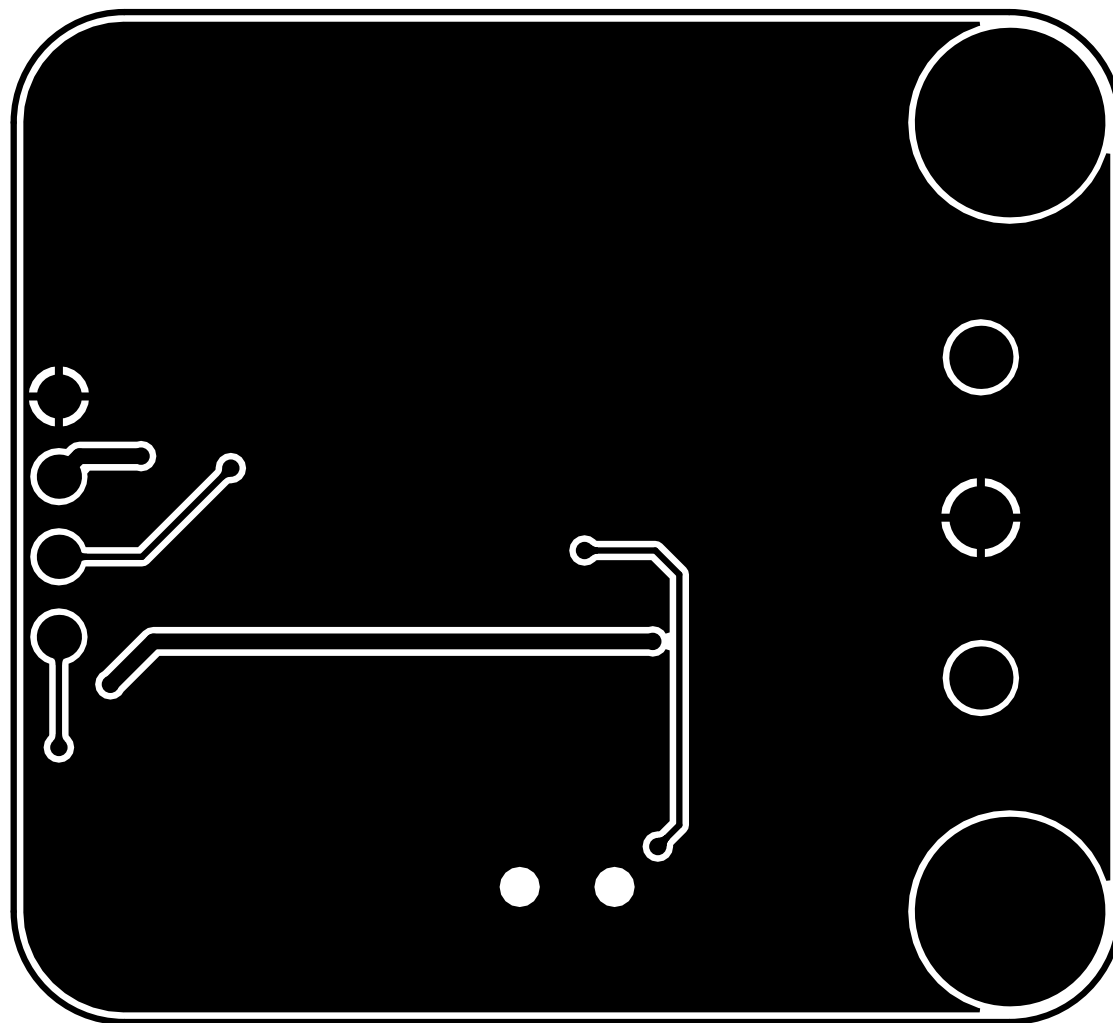


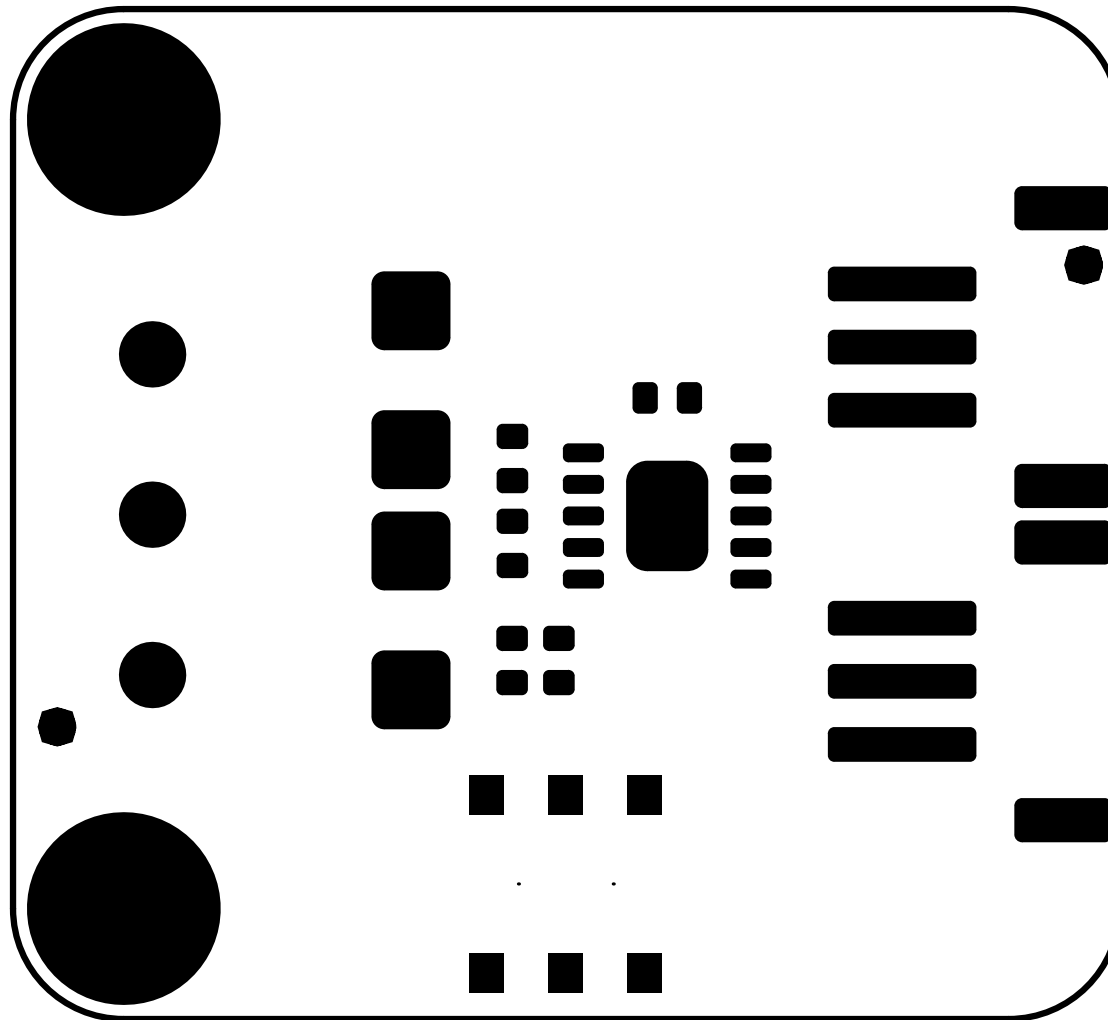
| | | | |
|--|----------------------------------|------------------|----------------|
| | Title: Gravity GP8501 PAC module | | Code: DFR1037 |
| | Drawn: Aaron-CD | Revision: V1.0.0 | Size: A3 |
| | Page: 1 of 1 | Date: 2023/7/18 | Time: 16:00:33 |



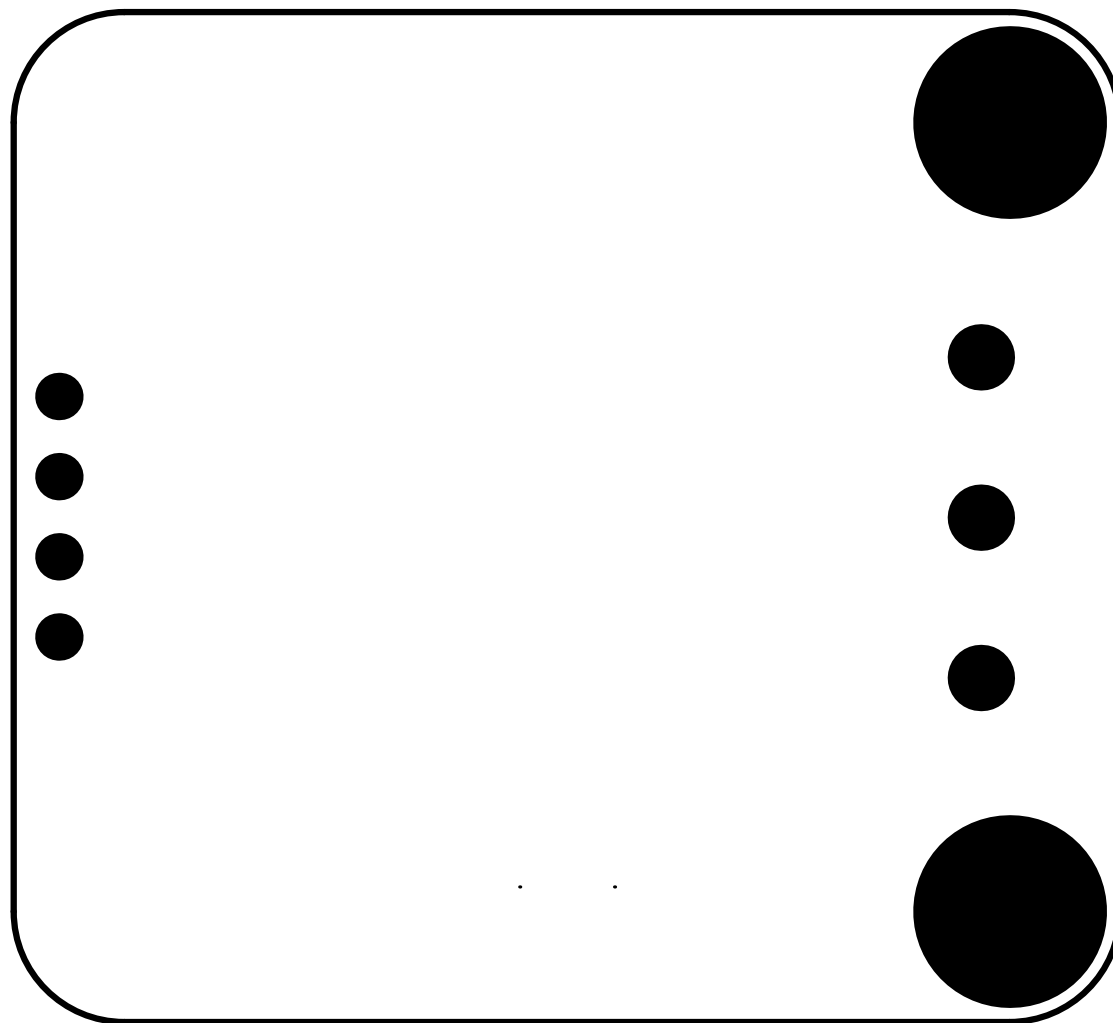
| | | |
|------------------------|------------------------|--------------------------|
| PCB Information | Name:[DFR1037](V1.0.0) | Thickness: 1.6mm |
| Engineer:Aaron | Top SolderMask: Black | Bottom SolderMask: Black |
| Date: 20230718 | Top Silkscreen: White | Bottom Silkscreen: White |



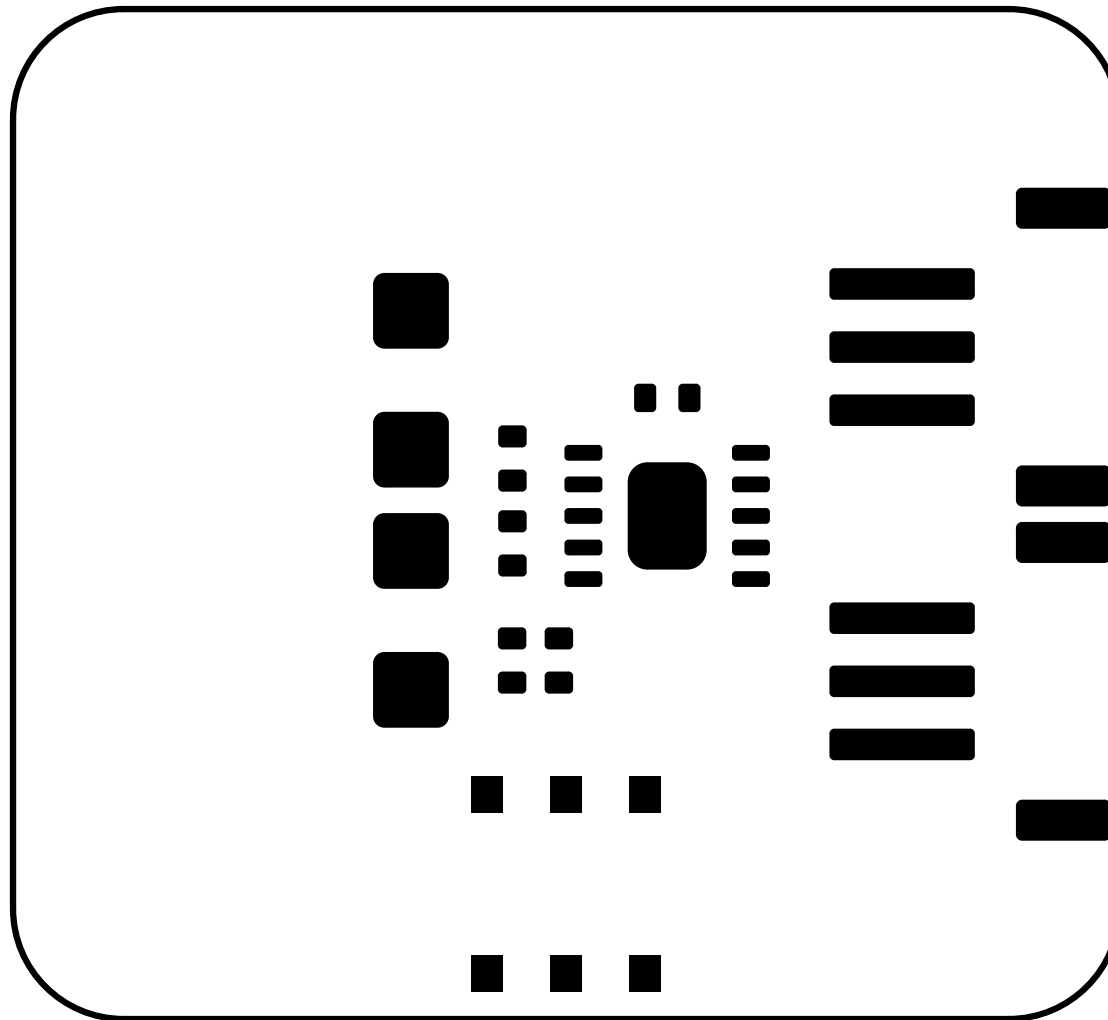
| | | |
|------------------------|------------------------|--------------------------|
| PCB Information | Name:[DFR1037](V1.0.0) | Thickness: 1.6mm |
| Engineer:Aaron | Top SolderMask: Black | Bottom SolderMask: Black |
| Date: 20230718 | Top Silkscreen: White | Bottom Silkscreen: White |



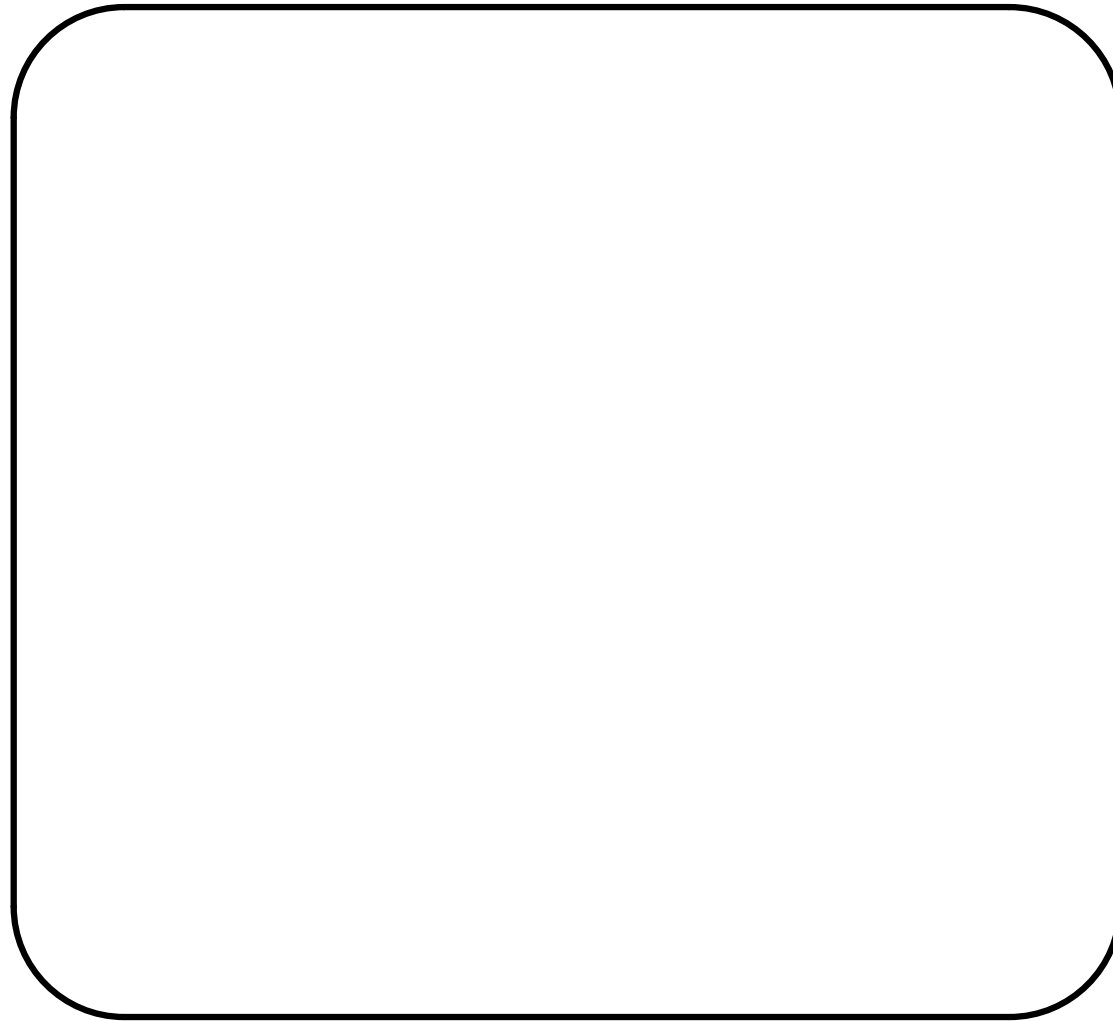
| | | |
|------------------------|------------------------|--------------------------|
| PCB Information | Name:[DFR1037](V1.0.0) | Thickness: 1.6mm |
| Engineer:Aaron | Top SolderMask: Black | Bottom SolderMask: Black |
| Date: 20230718 | Top Silkscreen: White | Bottom Silkscreen: White |



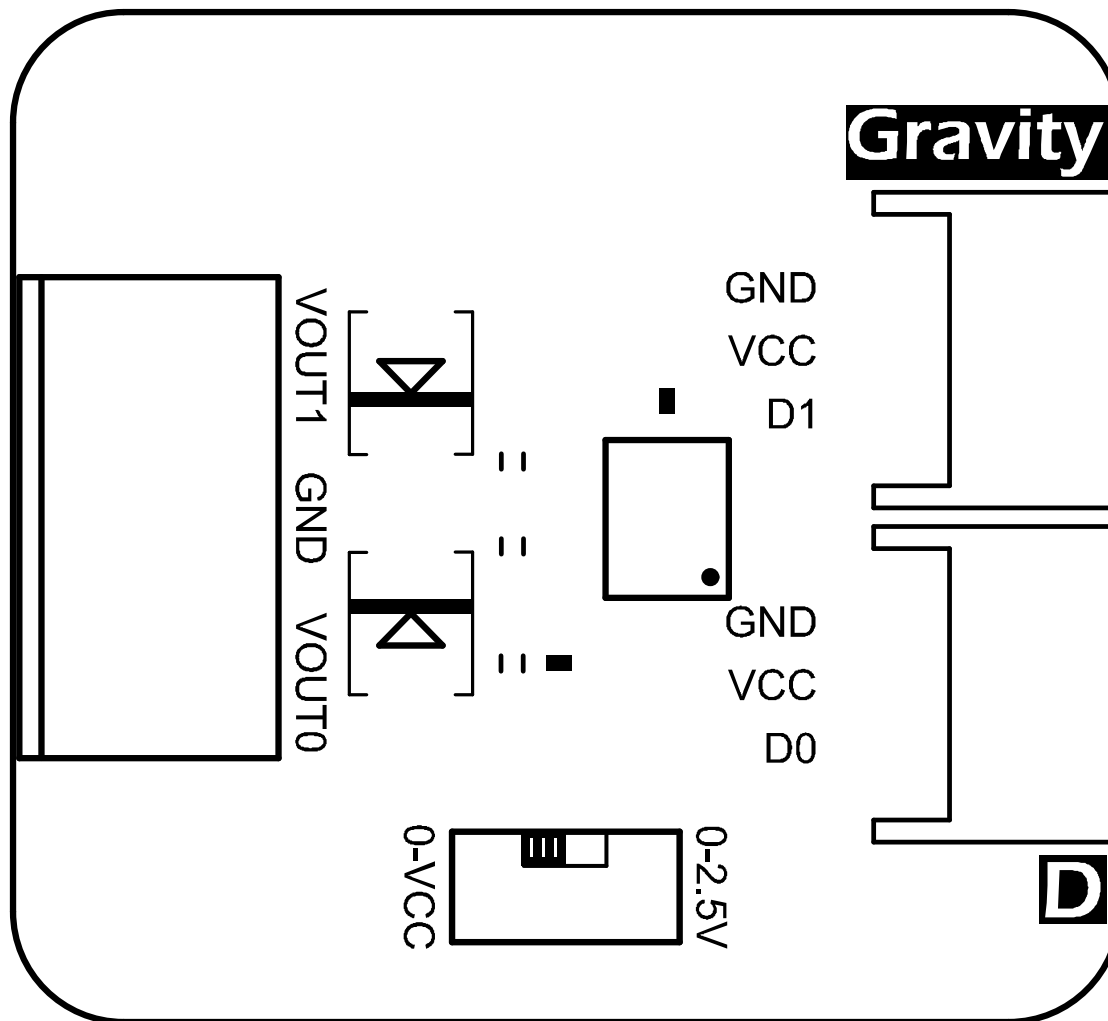
| | | |
|------------------------|------------------------|--------------------------|
| PCB Information | Name:[DFR1037](V1.0.0) | Thickness: 1.6mm |
| Engineer:Aaron | Top SolderMask: Black | Bottom SolderMask: Black |
| Date: 20230718 | Top Silkscreen: White | Bottom Silkscreen: White |



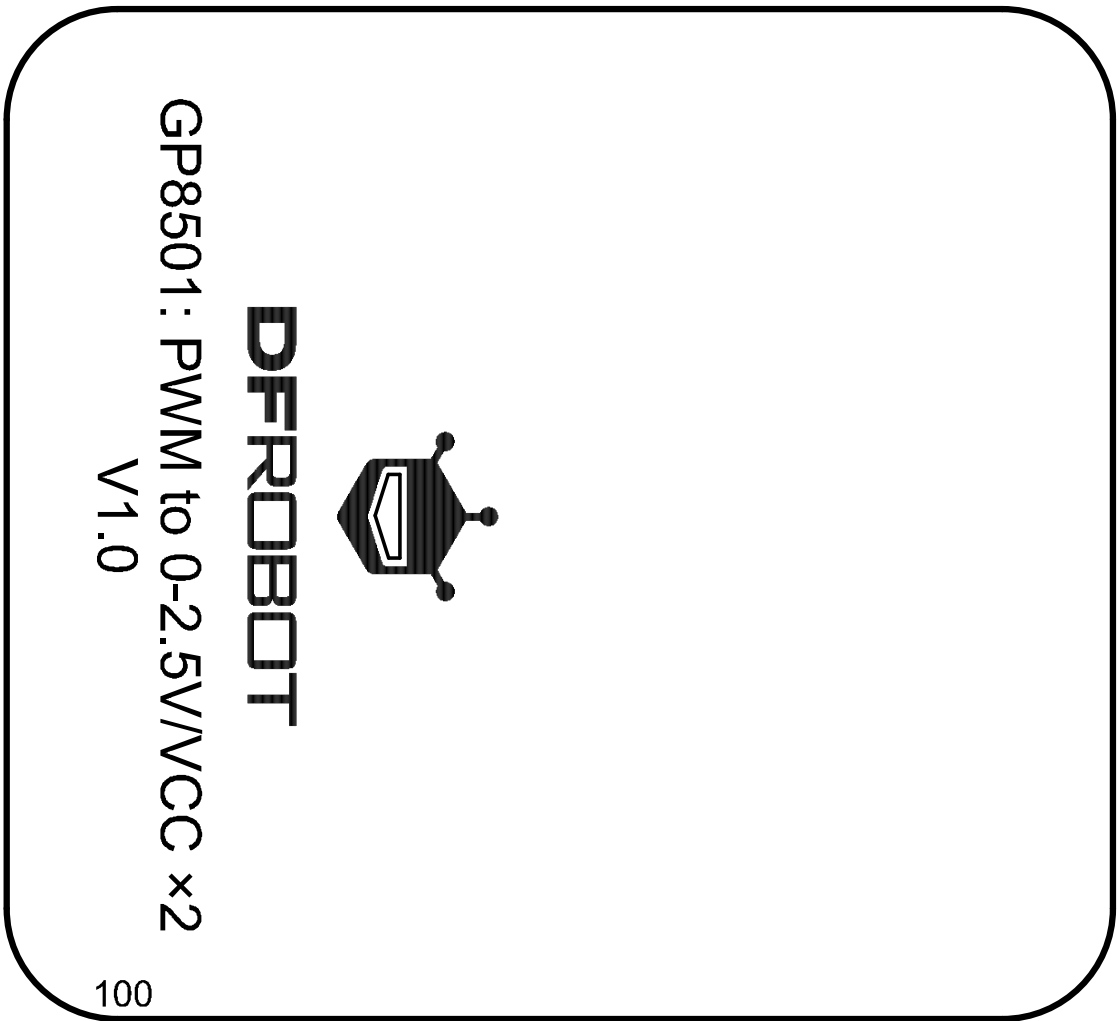
| | | |
|------------------------|------------------------|--------------------------|
| PCB Information | Name:[DFR1037](V1.0.0) | Thickness: 1.6mm |
| Engineer:Aaron | Top SolderMask: Black | Bottom SolderMask: Black |
| Date: 20230718 | Top Silkscreen: White | Bottom Silkscreen: White |



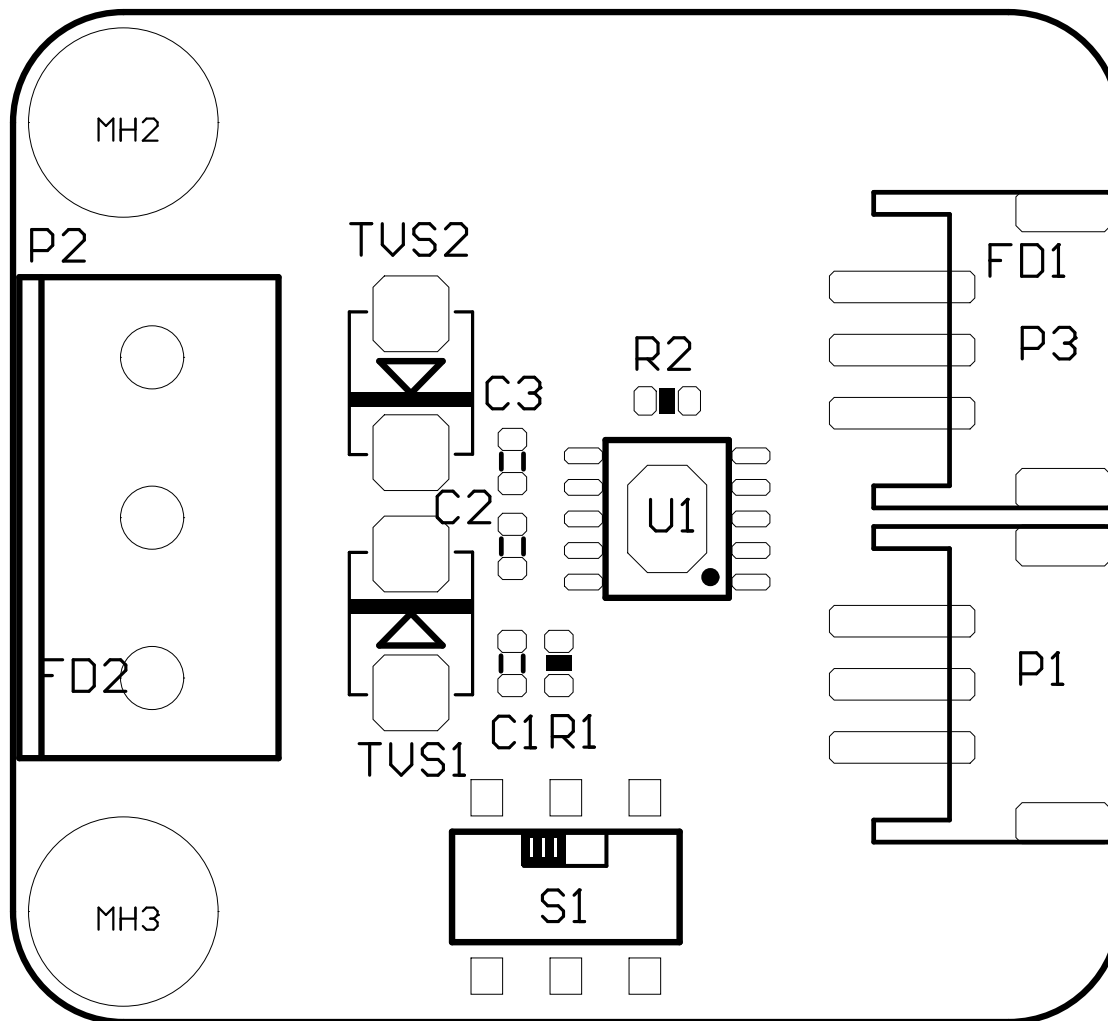
| | | |
|------------------------|------------------------|--------------------------|
| PCB Information | Name:[DFR1037](V1.0.0) | Thickness: 1.6mm |
| Engineer:Aaron | Top SolderMask: Black | Bottom SolderMask: Black |
| Date: 20230718 | Top Silkscreen: White | Bottom Silkscreen: White |



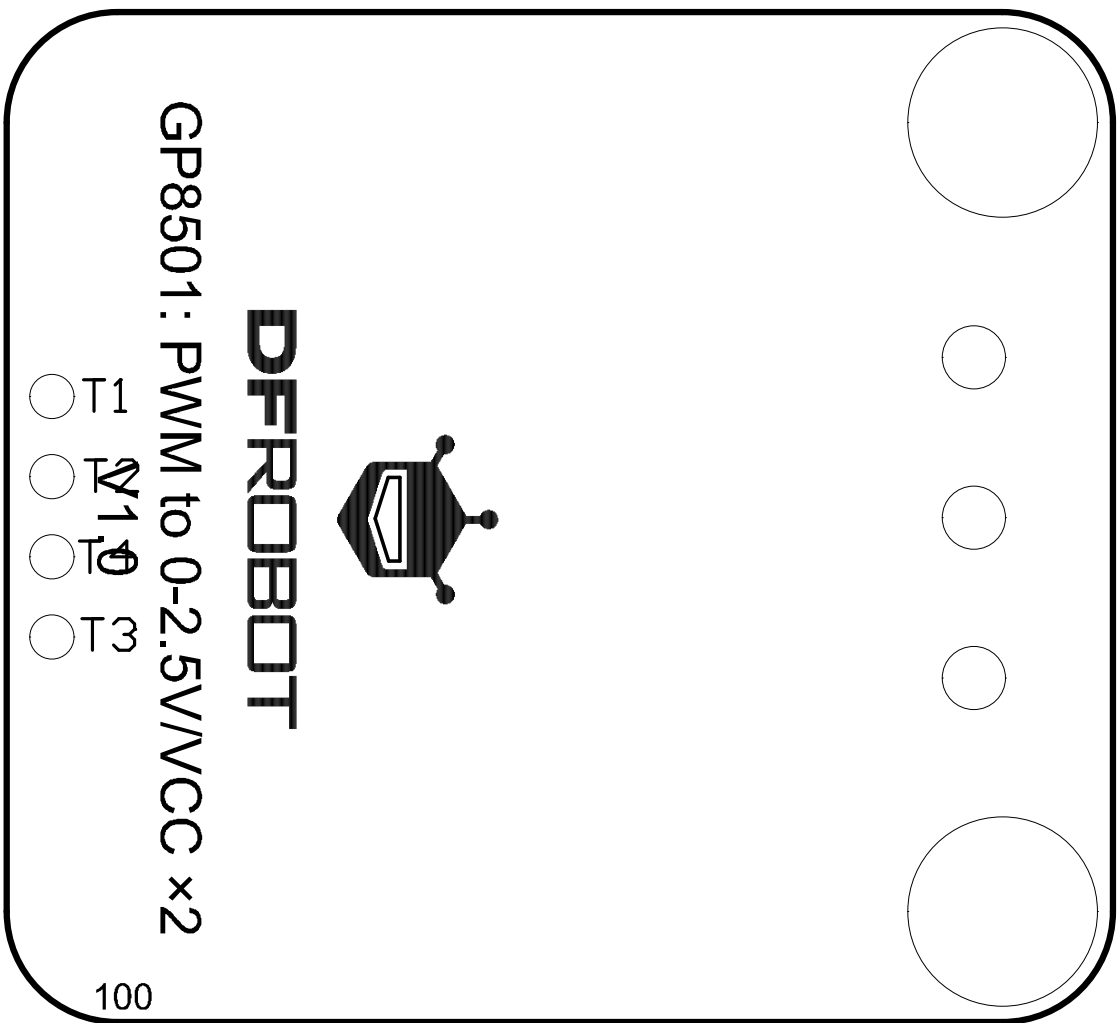
| | | |
|------------------------|------------------------|--------------------------|
| PCB Information | Name:[DFR1037](V1.0.0) | Thickness: 1.6mm |
| Engineer:Aaron | Top SolderMask: Black | Bottom SolderMask: Black |
| Date: 20230718 | Top Silkscreen: White | Bottom Silkscreen: White |



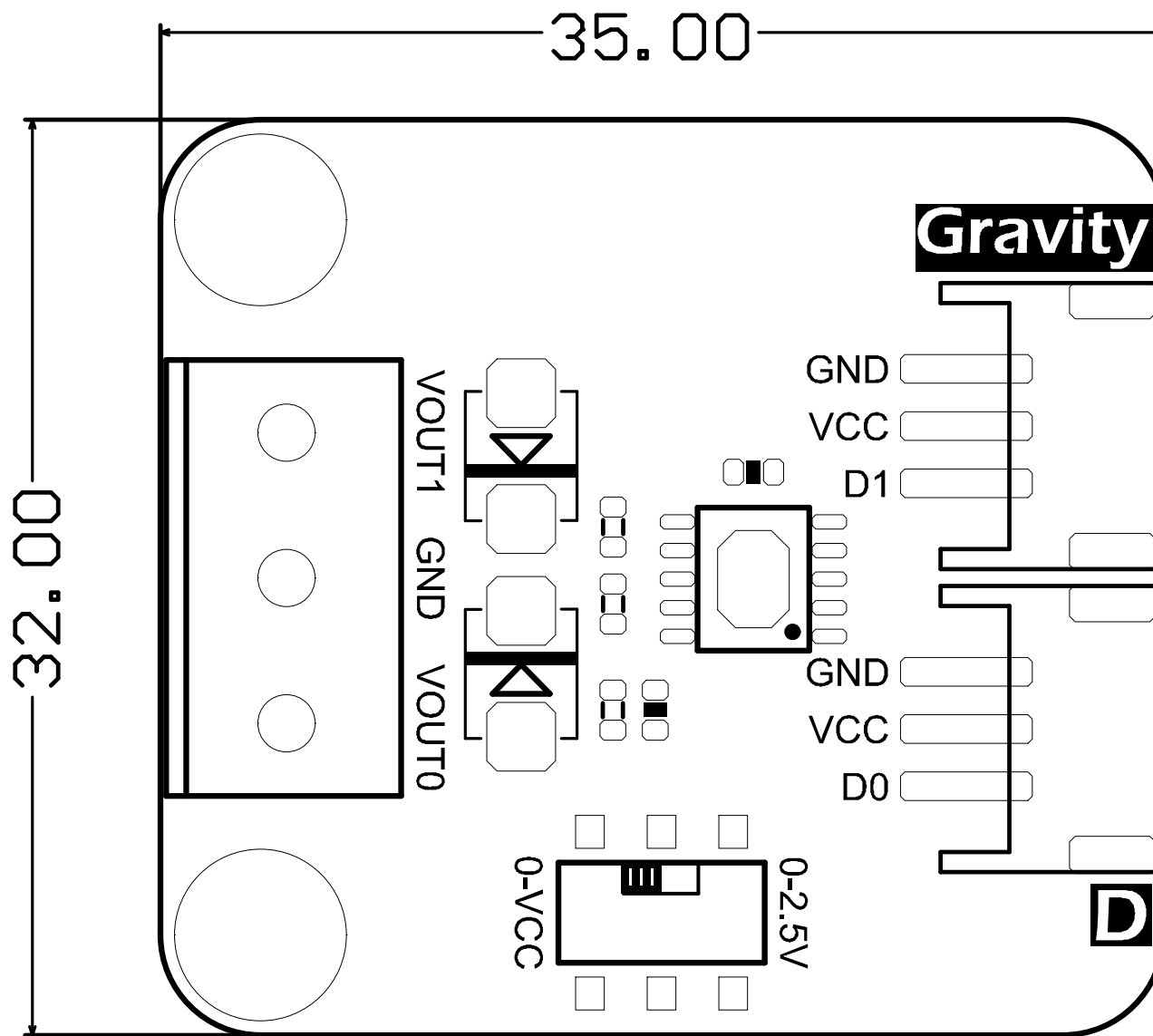
| | | |
|------------------------|------------------------|--------------------------|
| PCB Information | Name:[DFR1037](V1.0.0) | Thickness: 1.6mm |
| Engineer:Aaron | Top SolderMask: Black | Bottom SolderMask: Black |
| Date: 20230718 | Top Silkscreen: White | Bottom Silkscreen: White |



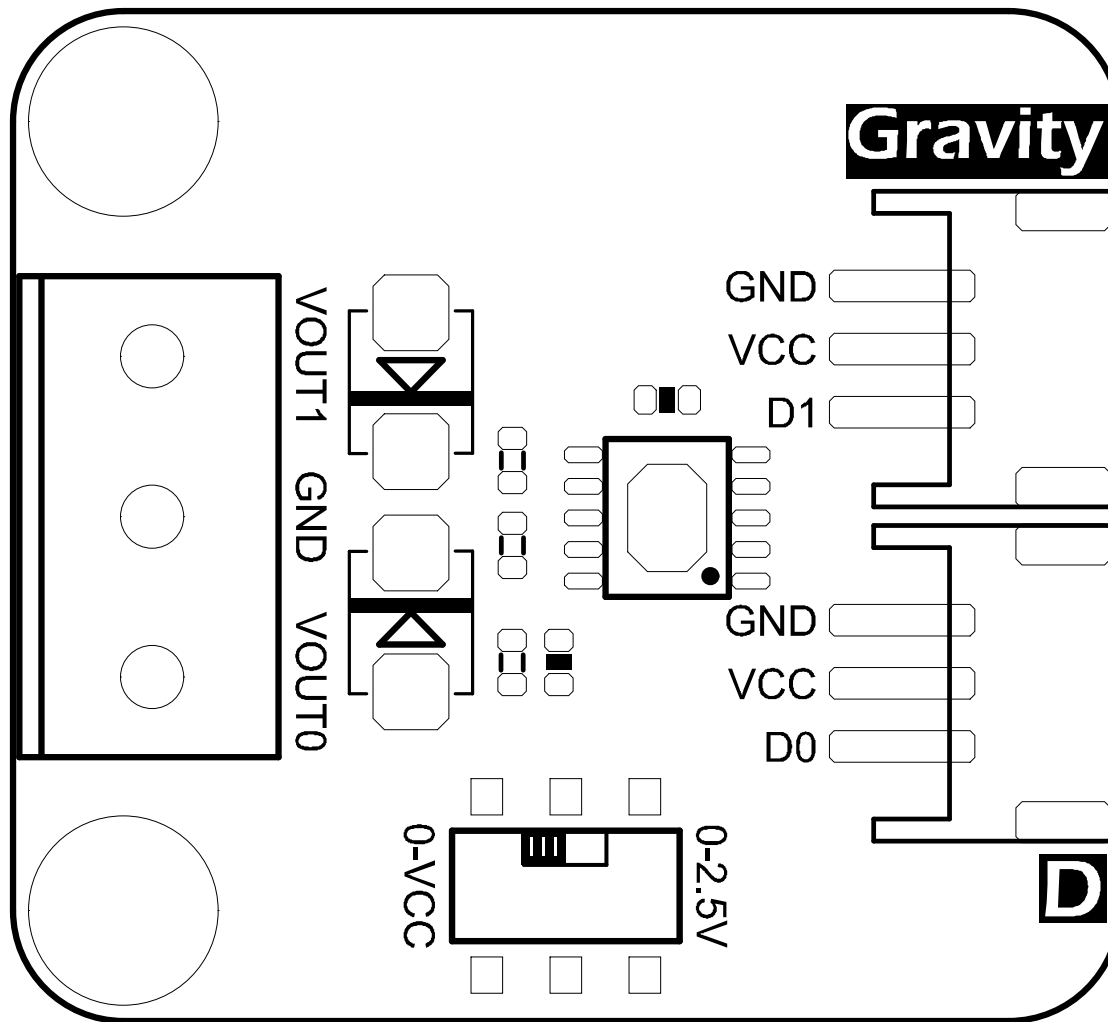
| | | |
|------------------------|------------------------|--------------------------|
| PCB Information | Name:[DFR1037](V1.0.0) | Thickness: 1.6mm |
| Engineer:Aaron | Top SolderMask: Black | Bottom SolderMask: Black |
| Date: 20230718 | Top Silkscreen: White | Bottom Silkscreen: White |



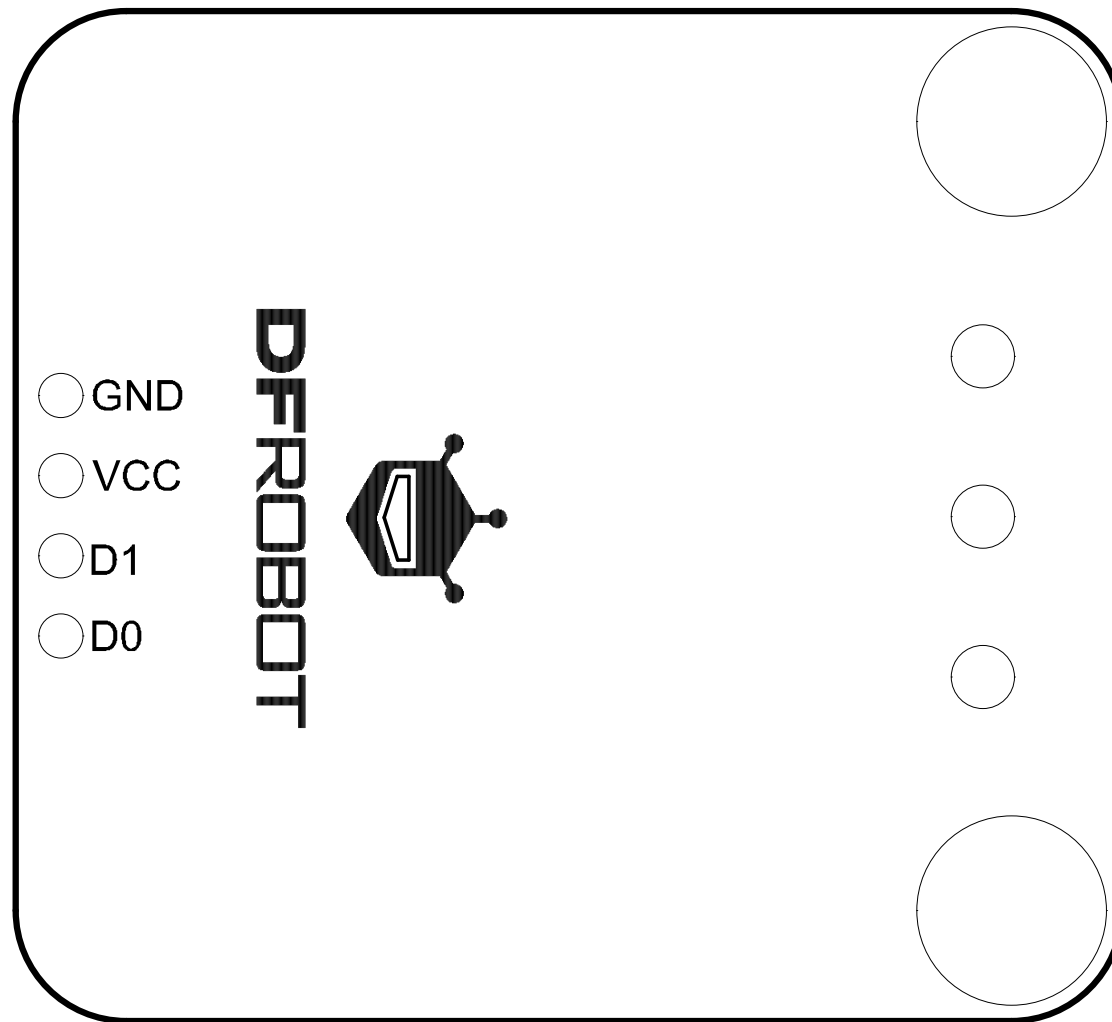
| | | |
|------------------------|------------------------|--------------------------|
| PCB Information | Name:[DFR1037](V1.0.0) | Thickness: 1.6mm |
| Engineer:Aaron | Top SolderMask: Black | Bottom SolderMask: Black |
| Date: 20230718 | Top Silkscreen: White | Bottom Silkscreen: White |



| | | |
|------------------------|------------------------|--------------------------|
| PCB Information | Name:[DFRIO37](V1.0.0) | Thickness: 1.6mm |
| Engineer:Aaron | Top SolderMask: Black | Bottom SolderMask: Black |
| Date: 20230718 | Top Silkscreen: White | Bottom Silkscreen: White |



| | | |
|------------------------|------------------------|--------------------------|
| PCB Information | Name:[DFR1037](V1.0.0) | Thickness: 1.6mm |
| Engineer:Aaron | Top SolderMask: Black | Bottom SolderMask: Black |
| Date: 20230718 | Top Silkscreen: White | Bottom Silkscreen: White |



| | | |
|------------------------|------------------------|--------------------------|
| PCB Information | Name:[DFR1037](V1.0.0) | Thickness: 1.6mm |
| Engineer:Aaron | Top SolderMask: Black | Bottom SolderMask: Black |
| Date: 20230718 | Top Silkscreen: White | Bottom Silkscreen: White |