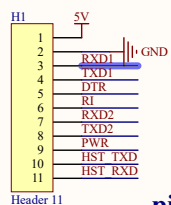
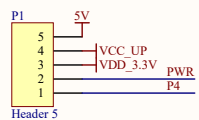


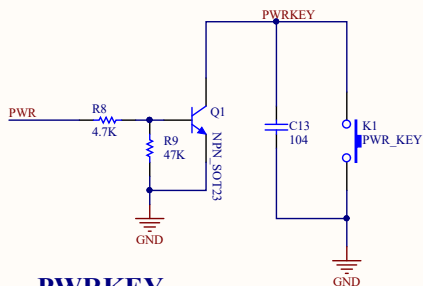
**Power: LDO and LDO adjuster**



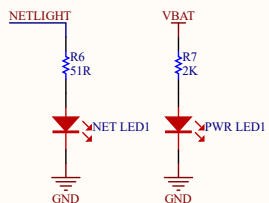
**pin header**



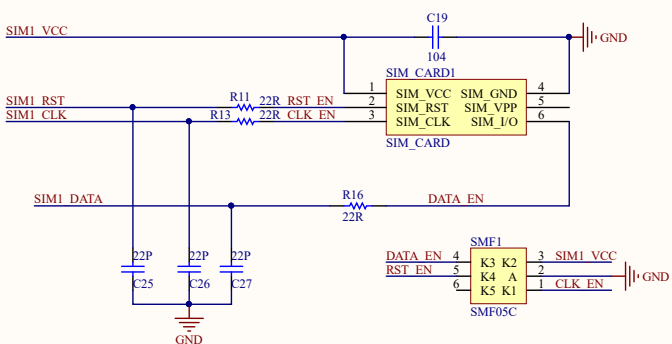
**option**



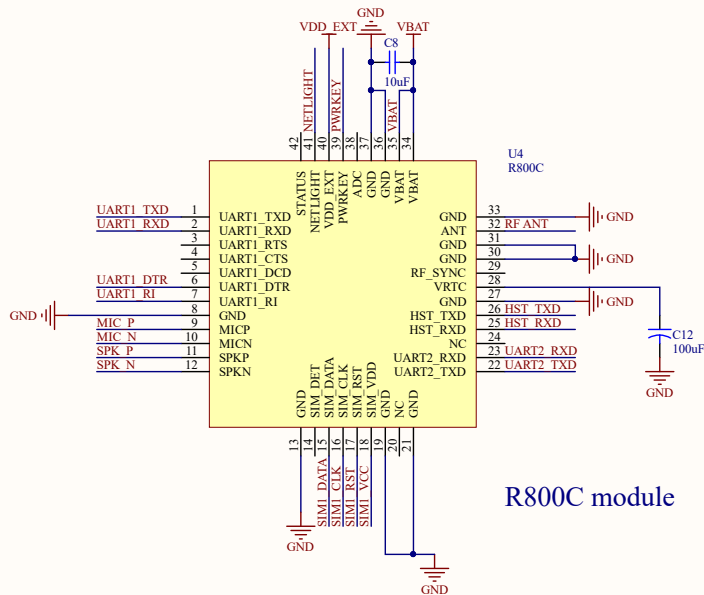
**PWRKEY**



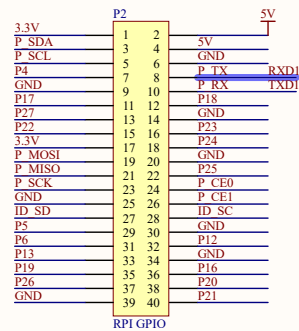
**LED**



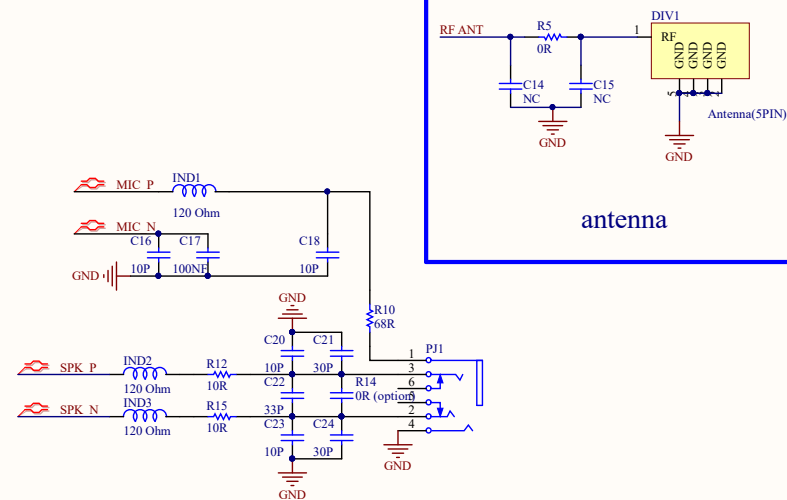
**SIM and surge protection**



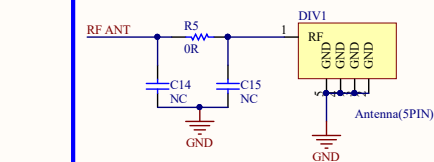
**R800C module**



**Raspberry interface**



**earphone**



**antenna**

Title		
Size	Number	Revision
A3		
Date:	2022年9月17日	Sheet of
File:	E:\PCB2022\..R800C GSM GPRS HAT.SchDoc	Drawn By: