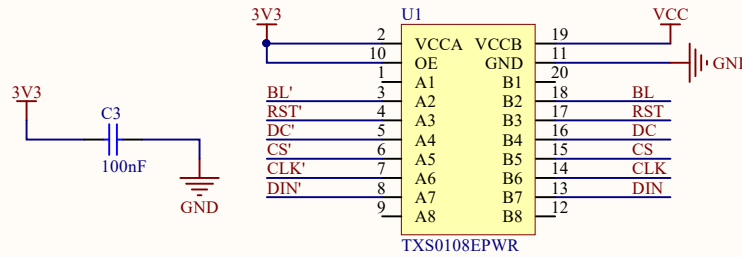
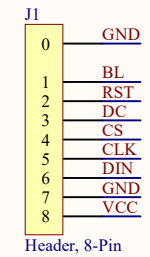


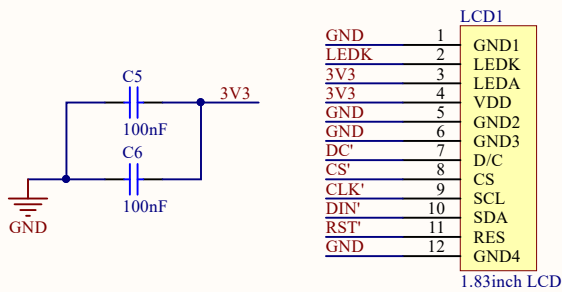
Power



Level conversion

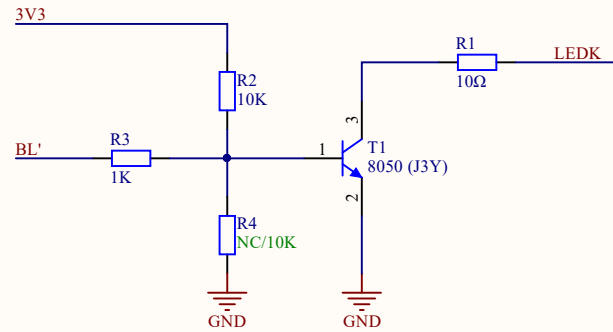


Header, 8-Pin



1.83inch LCD

1.83inch LCD



Back Light



1.83inch LCD Module