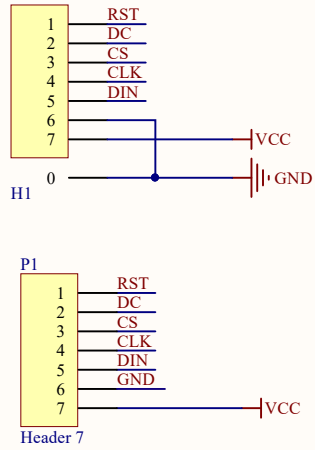
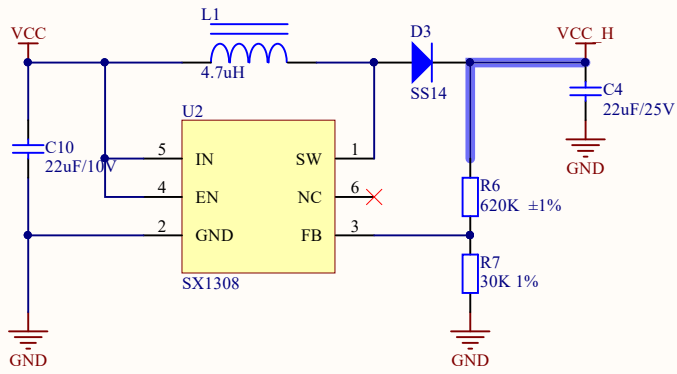


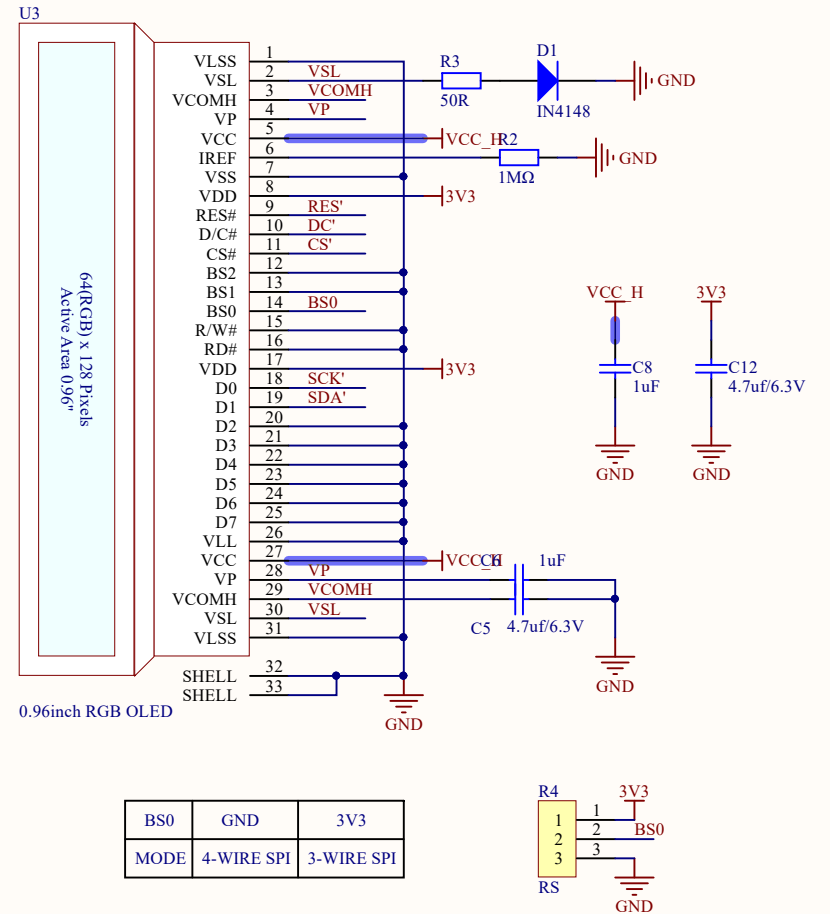
INTERFACE



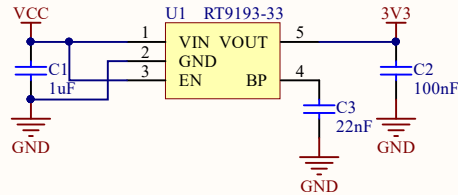
POWER_VDD



INTERFACE_OLED

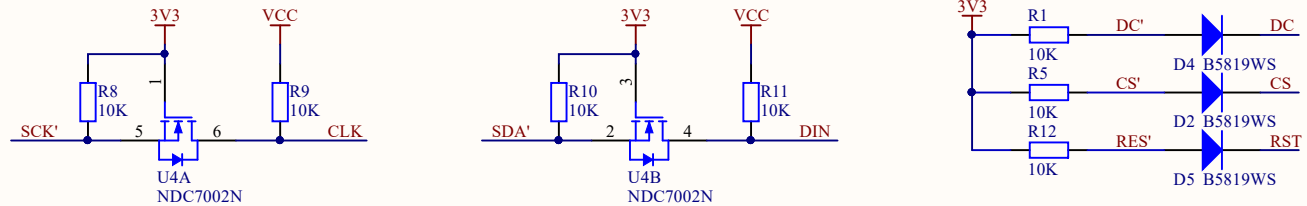


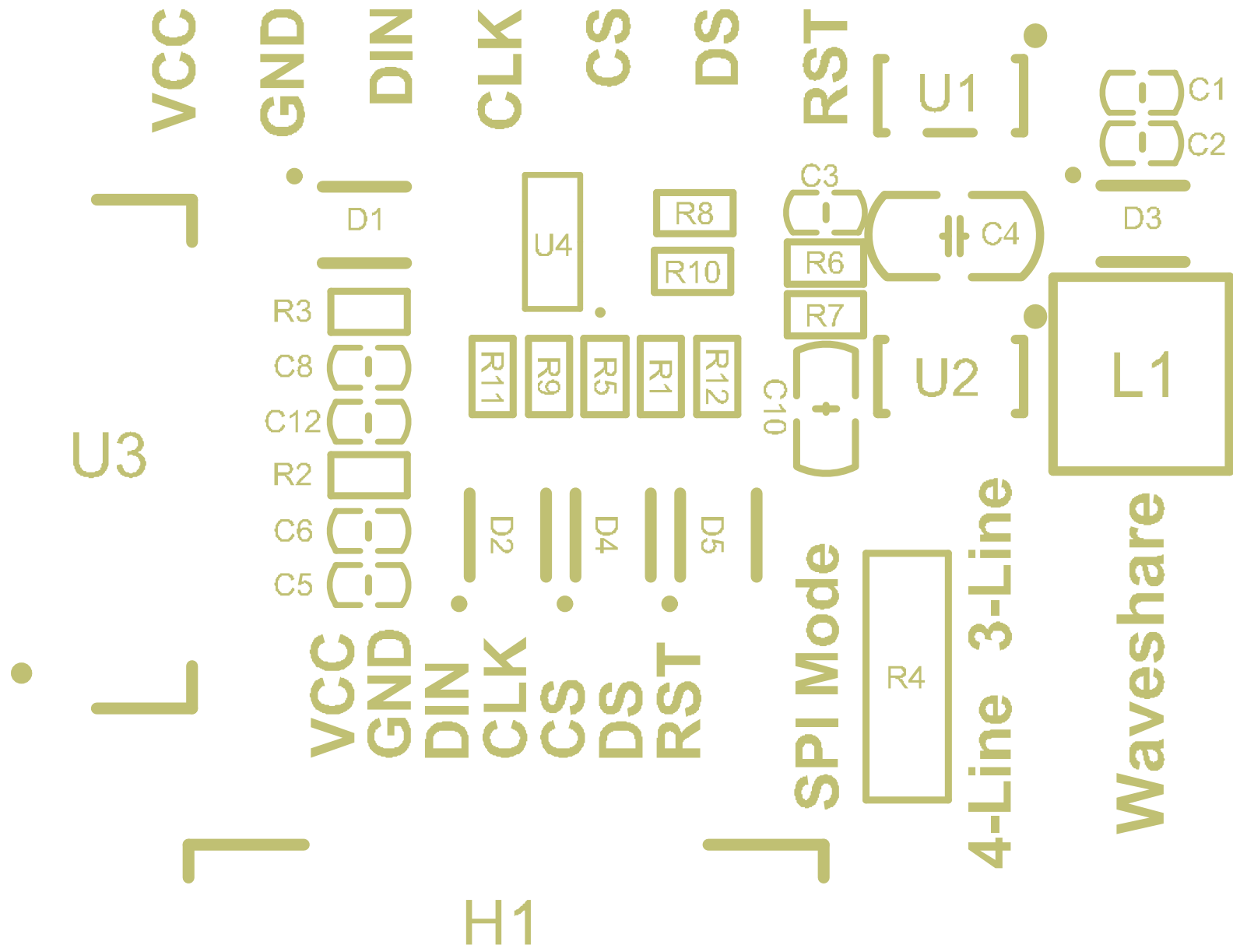
POWER_OLED



screen
0.96inch OLED RGB

LEVEL SWITCH





H1

U3

4-Line 3-Line

WaveShare

VCC

GND

DIN

CLK

CS

DS

RST

U1

C1
C2

D3

L1

R3

C8

C12

R2

C6

C5

VCC
GND

DIN
CLK

CS
DS

RST

SPI Mode

R4

U4

R8

R10

C3

R6

R7

U2

C4

D2

D4

D5

R11

R9

R5

R1

R12

C10

P1