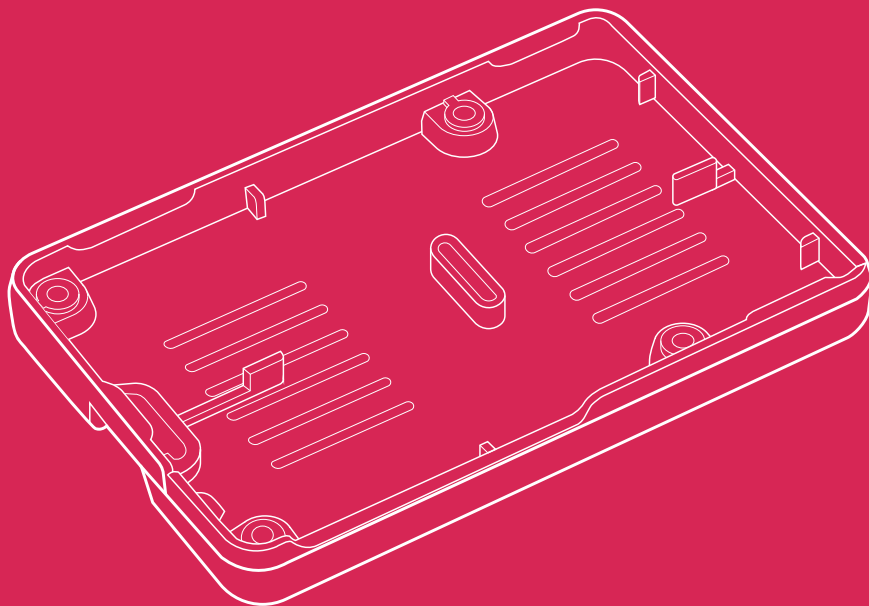




# Raspberry Pi Bumper for Raspberry Pi 5

Published October 2024



## Overview

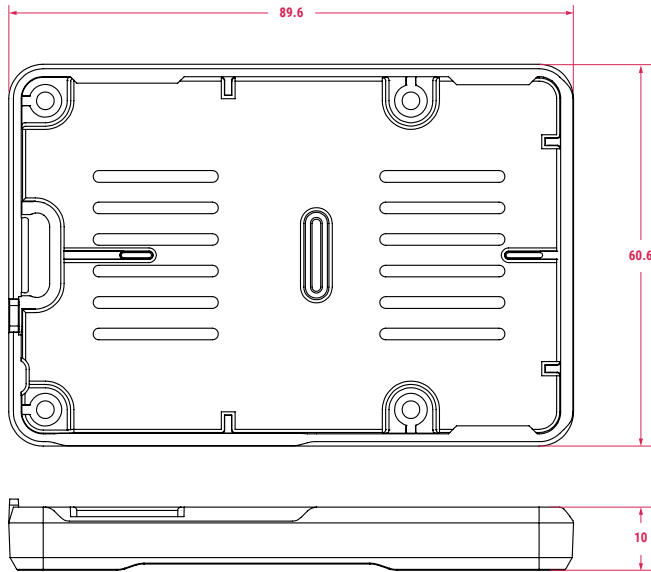


The Raspberry Pi Bumper for Raspberry Pi 5 is a snap-on silicone cover that protects the bottom and edges of the board.

## Specification

- Features:**
- One-piece flexible silicone rubber bumper
  - Enables easy access to the power button
  - Mounting holes remain accessible underneath the bumper
- Production lifetime:** The Raspberry Pi Bumper for Raspberry Pi 5 will remain in production until at least January 2036
- Compliance:** For a full list of local and regional product approvals, please visit [pip.raspberrypi.com](http://pip.raspberrypi.com)
- List price:** \$3 US

## Physical specification



**Note:**

All dimensions in mm

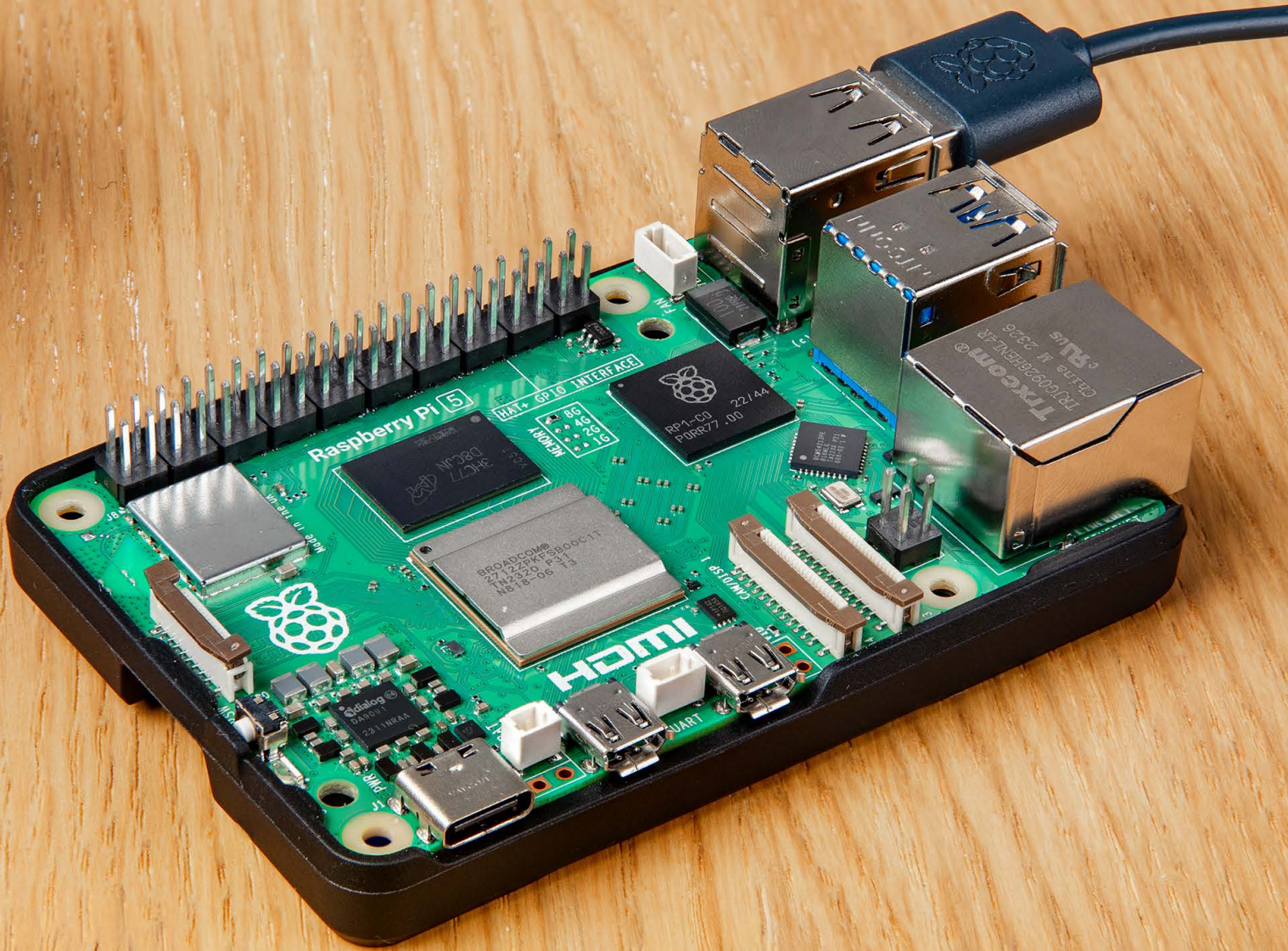
All dimensions are approximate and for reference purposes only. The dimensions shown should not be used for producing production data

The dimensions are subject to part and manufacturing tolerances

Dimensions may be subject to change

### WARNINGS

- Before fitting a Raspberry Pi 5 into the bumper, remove the SD card; take care when fitting
- Only for use with Raspberry Pi 5





Raspberry Pi is a trademark of Raspberry Pi Ltd

---