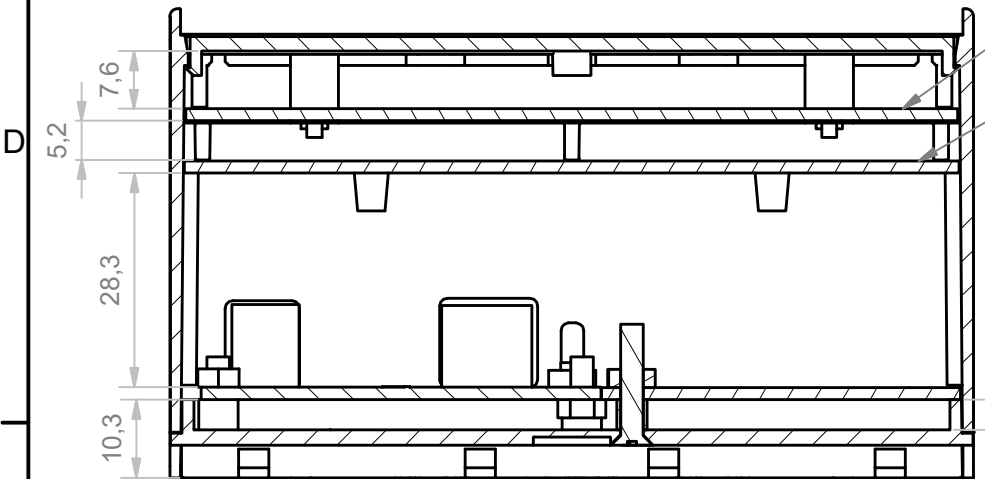
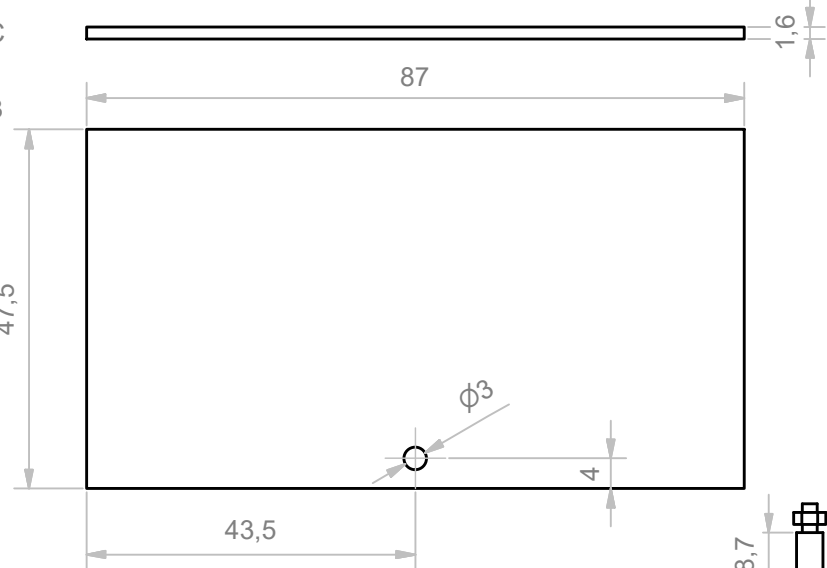


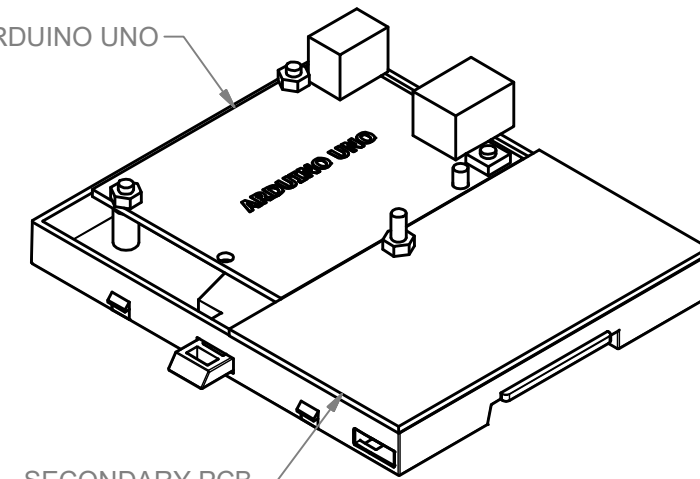
A-A (1:1)



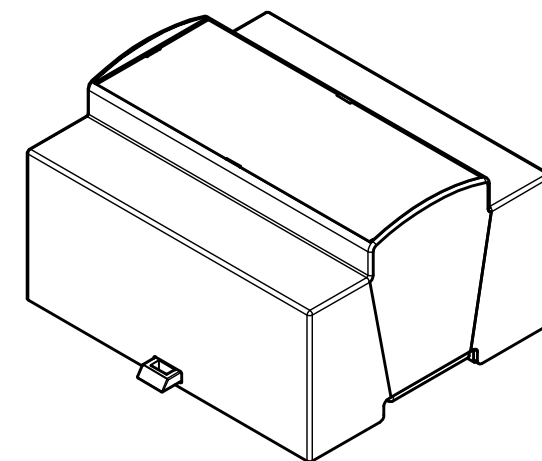
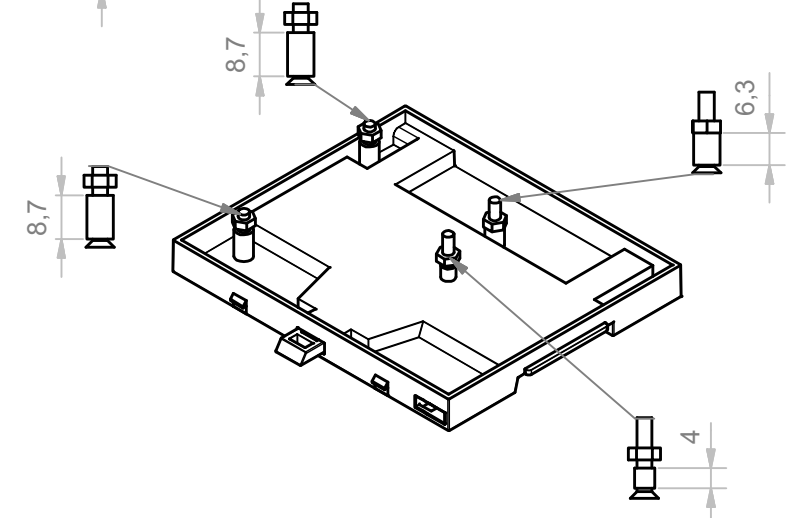
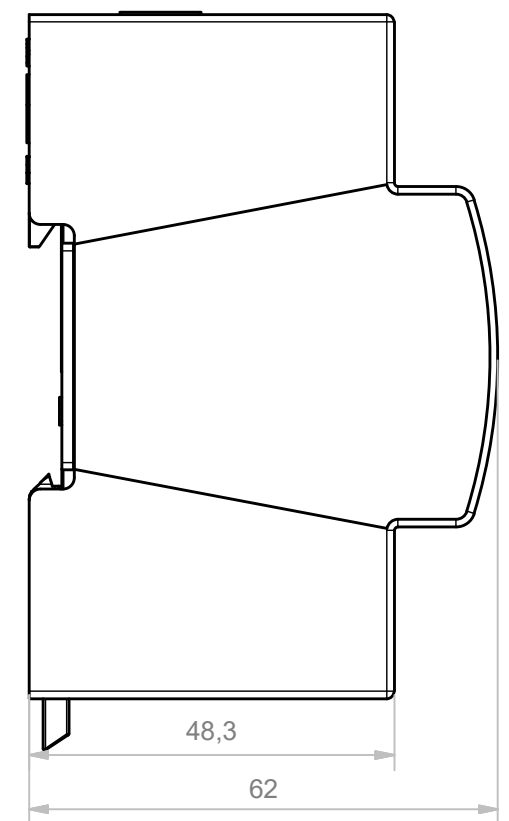
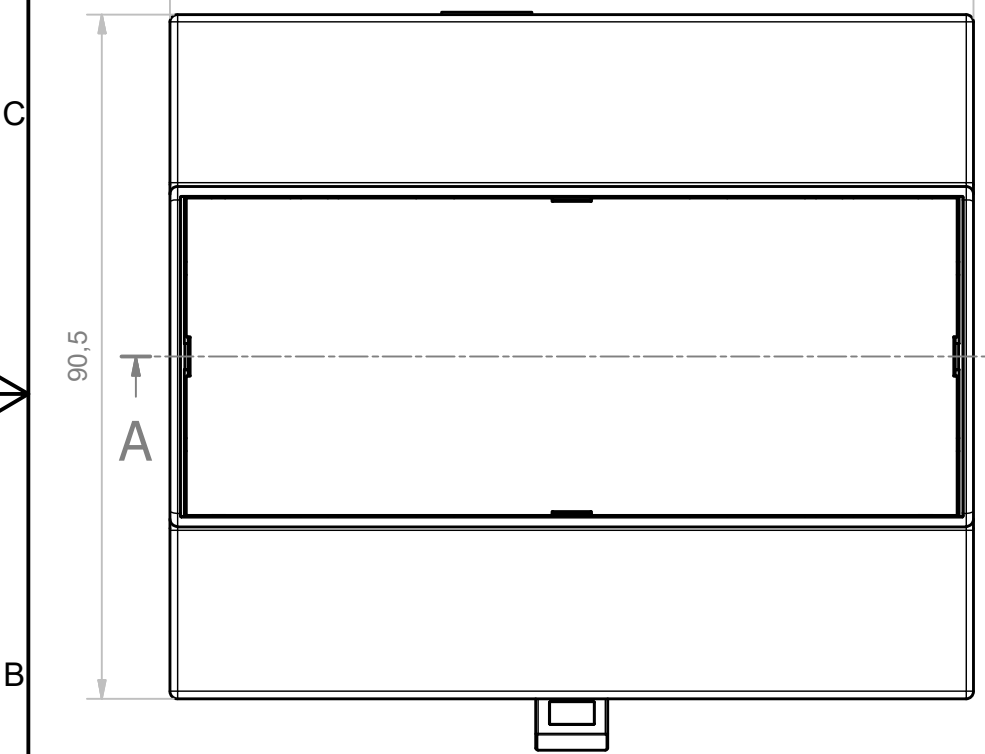
SECONDARY PCB



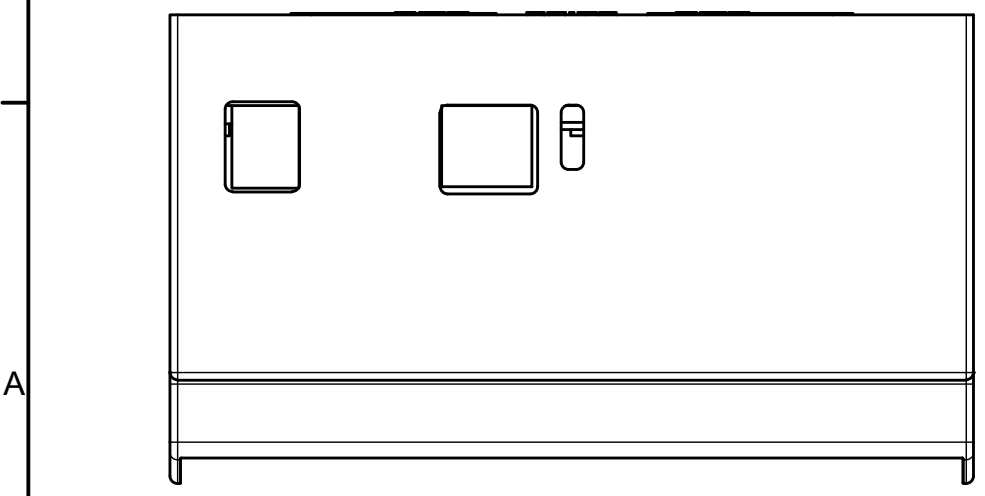
PCB ARDUINO UNO



SECONDARY PCB



PCB TYPE	PCB DIMENS	TOLERANCE
B	102,5 x 86,4	+/- 0,1 mm
C	102,1 x 42,0	+/- 0,1 mm



RIF.	Q.TY	DESCRIPTION	CODE
1	1	BODY 6M53-C XTS ARDUINO UNO	M-06461
2	1	BASE 6M XT ARDUINO	M-05634
3	1	HOOK MODULBOX LONG	M-01900
4	1	PANEL 6M WITHOUT FRAME	M-00155
5	2	SPACER ROUND 5 X 3.2 X 8.7 PLASTIC	PM10012030
6	4	NUT M3X0.5 PLASTIC	PM10012026
7	4	SCREW TS M3X16 PLASTIC	PM10012027
8	1	SPACER ROUND 5 X 3.2 X 4 PLASTIC	PM10012031
9	1	SPACER ROUND 5 X 3.2 X 6.3 PLASTIC	PM10012032

RESERVED PROPERTY: The present drawing cannot be reproduced or communicated to 3d parties, even partially, without the authorization of ITALTRONIC Srl. Italtronic reserves to protect its own rights according to the law.

5 4 3 2 1

GENERAL TOLERANCE	UNI EN 22768/1 Media (m)	Drawn:	Checked:	Revision description
SHEET NR.	1 / 1	Dimension in mm	Rigato N.	Fanin F.
DRAWING BY		Date:	Replace nr.	Part number:
GAP		27/10/2016		
Manual modification are not allowed		Denomination: KIT 6M XTS ARDUINO UNO E 101		
		Drawing nr. M-06462-00		
UN PARTNER PER IL FUTURO ITALTRONIC S.R.L. VIA AUSTRIA 25/D 35127 PADOVA - ITALY www.italtronic.com				