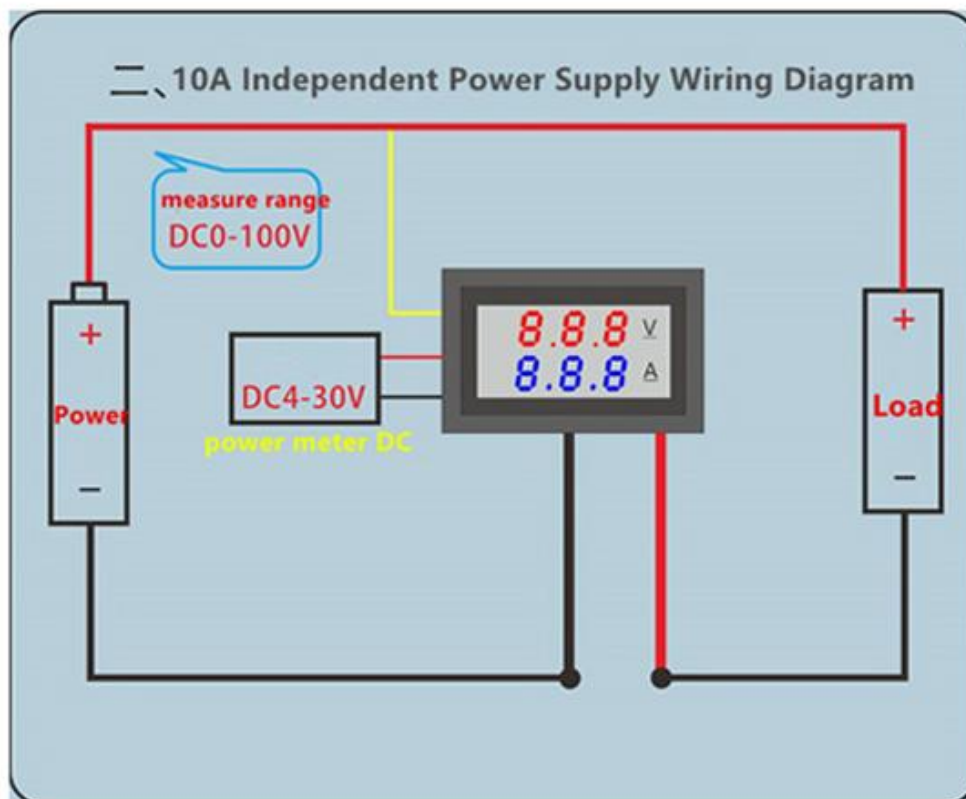
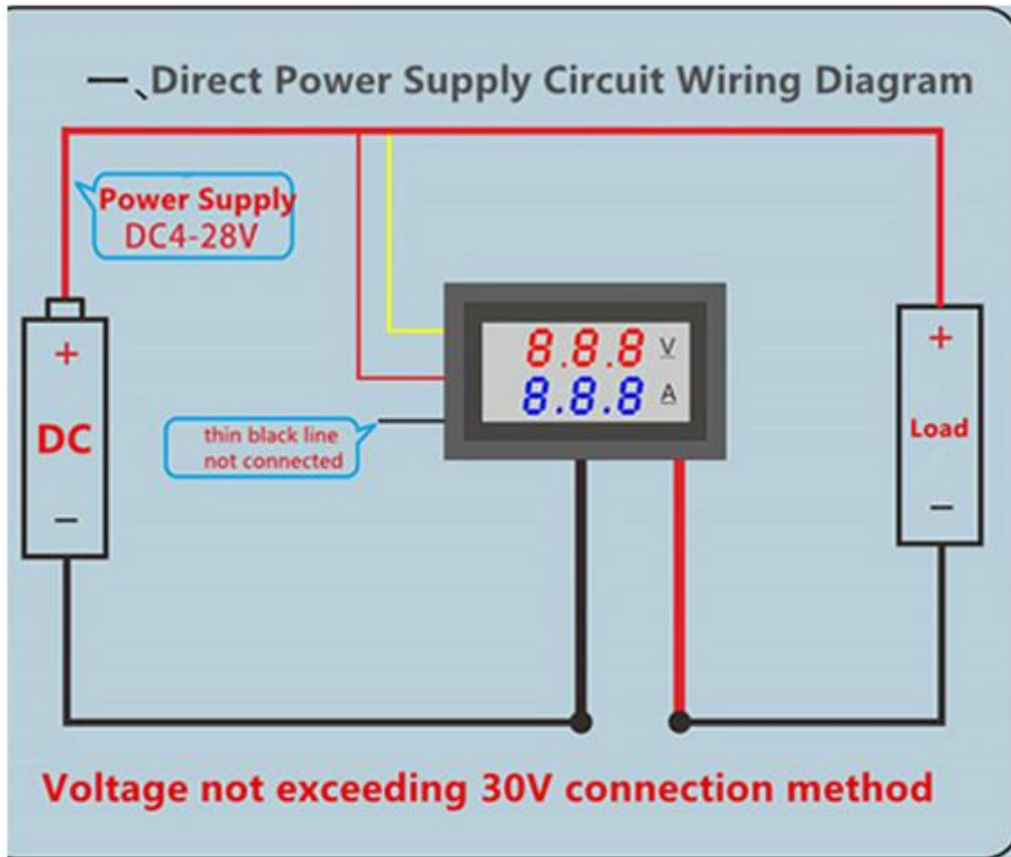


### 3 WIRES (RED-BLACK-YELLOW)



## 2 WIRES (RED-BLACK)

Wiring diagram :

