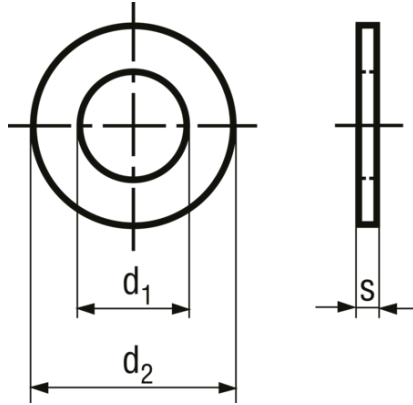


Flat washers without chamfer series M (medium)

BN 84541



Material	Stainless steel
Material type	A4
Hardness	150 HV
Standard	NFE 25-514 M (Standard withdrawn)

Article no	for thread	d1	d2	s
8217416	M2	2.2	5.5	0.5
8217424	M2,5	2.7	7	0.5
8030685	M3	3.2	8	0.8
8030723	M4	4.3	10	0.8
8030758	M5	5.3	12	1
8030774	M6	6.4	14	1.2
8030790	M8	8.4	18	1.5
8030812	M10	10.5	22	2
8030839	M12	13	27	2.5
8030855	(M14)	15	30	2.5
8030863	M16	17	32	3
8030898	(M18)	19	36	3
8030995	M20	21	40	3
8031010	(M22)	23	45	3
8031045	M24	25	50	4
8031088	(M27)	28	55	4
8031118	M30	31	60	4