

EGS002 Sinusoid Inverter Driver Board User Manual

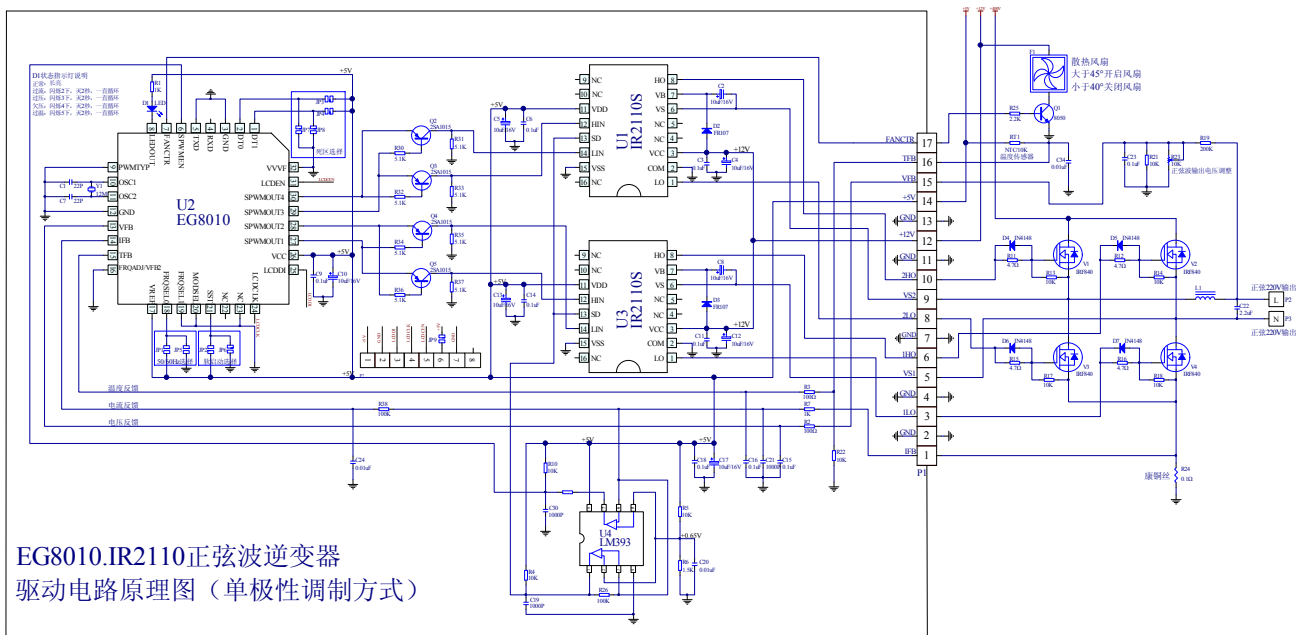
1. Description

EGS002 is a driver board specific for single phase sinusoid inverter. It uses ASIC EG8010 as control chip and IR2110S as driver chip. The driver board integrates functions of voltage, current and temperature protection, LED warning indication and fan control. Jumper configures 50/60Hz AC output, soft start mode and dead time. EGS002 is an improved version of EGS001 that is compatible of EGS001's original interfaces. EGS002 also integrates cross-conduction prevention logic to enhance its ability of anti-interference, and LCD display interface for users' convenience to use chip's built-in display function.

EG8010 is a digital pure sine wave inverter ASIC (Application Specific Integrated Circuit) with complete function of built-in dead time control. It applies to DC-DC-AC two stage power converter system or DC-AC single stage low power frequency transformer system for boosting. EG8010 can achieve 50/60Hz pure sine wave with high accuracy, low harmonic and distortion by external 12MHz crystal oscillator. EG8010 is a CMOS IC that integrates SPWM sinusoid generator, dead time control circuit, range divider, soft start circuit, circuit protection, RS232 serial communication, 12832 serial LCD unit, and etc.

2. Circuit Schematic

EGS002 Driver Board Schematic



3. Pins and jumpers

3.1 EGS002 Front View

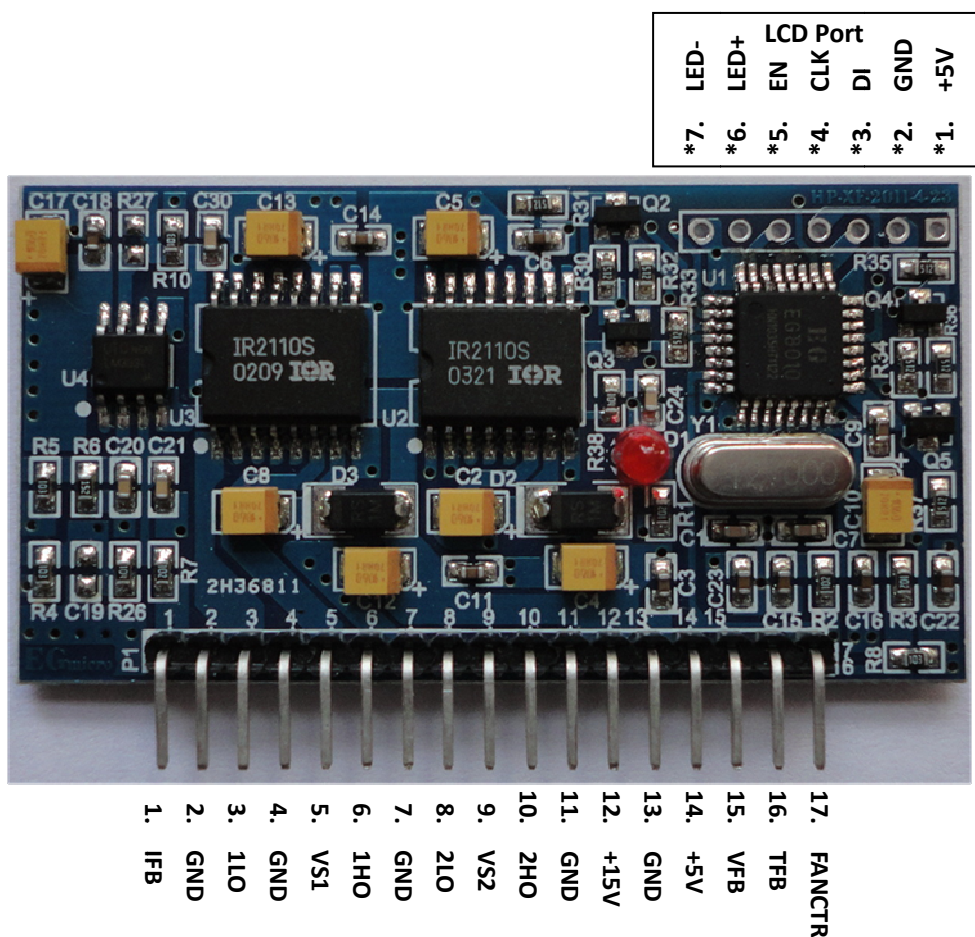


Figure 3-1. EGS002 Driver Board Pin Definition

3.2 Pin Description

Designator	Name	I/O	Descriptions
1	IFB	I	AC Output Current Feedback. Overcurrent protection turns on when pin's input voltage is over 0.5V
2	GND	GND	Ground
3	1LO	O	Right bridge low sidegate drive output
4	GND	GND	Ground
5	VS1	O	Right bridge high side floating supply return
6	1HO	O	Right bridge high side gate drive output
7	GND	GND	Ground
8	2LO	O	Left bridge low side gate drive output
9	VS2	O	Left bridge high side floating supply return
10	2HO	O	Left bridge high side gate drive output

11	GND	GND	Ground
12	+12V	+12V	+12V voltage input. (range: 10V-15V)
13	GND	GND	Ground
14	+5V	+5V	+5V power supply
15	VFB	I	AC Output voltage feedback. Referring to EG8010 datasheet for specific function and circuit.
16	TFB	I	Temperature feedback. Overtemperature protection turns on when pin's input voltage is over 4.3V
17	FANCTR	O	Connect to the fan control. When detects a temperature over 45°C, FANCTR outputs high level "1" to turn on the fan. When the temperature is lower than 40°C, FANCTR outputs low level "0" to turn off the fan.
* The followings are LCD display interface			
*1	+5V	+5V	+5V power supply for the LCD
*2	GND	GND	Ground
*3	LCDDI	I/O	LCD Serial Data
*4	LCDCLK	O	LCD Serial Clock
*5	LCDEN	O	LCD Chip Select
*6	LED+	+5V	+5V power supply for the backlight
*7	LED-	GND	Ground

3.3 Jumper settings

Designator	Name	Mark	Setting Description
1	FS0	JP1	When JP1 is short, it selects AC output frequency at 60Hz
		JP5	When JP5 is short, it selects AC output frequency at 50Hz
2	SST	JP2	When JP2 is short, it enables 3 seconds soft start mode
		JP6	When JP6 is short, it disables soft start mode
3	DT0	JP3	When JP7 and JP8 are short, dead time is 300ns.
		JP7	When JP3 and JP8 are short, dead time is 500ns.
4	DT1	JP4	When JP4 and JP7 are short, dead time is 1.0us.
		JP8	When JP3 and JP4 are short, dead time is 1.5us.
*5	LED+	JP9	When JP9 is short, LCD backlight is on When JP9 is open, LCD backlight is off

The driver board's jumper JP5, JP2, JP7 and JP8 are shorted as default setting, corresponding to 50Hz output, soft start mode on, 300nS dead time. Users can change these based on their needs.

Warning: Jumper of the same function CANNOT be short circuited at the same time. (For example: JP1 And JP5 cannot be short at the same time.)

3.4 LED Warning Indication

EGS002 driver board provides LED warning indication function. User can determine problem according to the followings:

- Normal: Lighting always on
- Overcurrent: Blink twice, off for 2 seconds, and keep cycling
- Overvoltage: Blink 3 times, off for 2 seconds, and keep cycling
- Undervoltage: Blink 4 times, off for 2 seconds, and keep cycling
- Overtemperature: Blink 5 times, off for 2 seconds, and keep cycling

3.5 LCD Display Interface

EGS002 integrates LCD display interface for users' convenience to test chip's built-in display function that EG8010 supports. Shielding cable is required for connecting EGS002 driver board and LCD, otherwise inverter's high voltage and high current environment will significantly interfere driver board's operation.

EG8010 supports 12832 LCD (default) or LCD3220 that we specifically designed. Because two LCDs' drivers are different, user has to specify if intends to buy LCD3220. Salesperson will ship 12832 LCD as default if not otherwise specified.

- **12832 LCD Connection Diagram:**

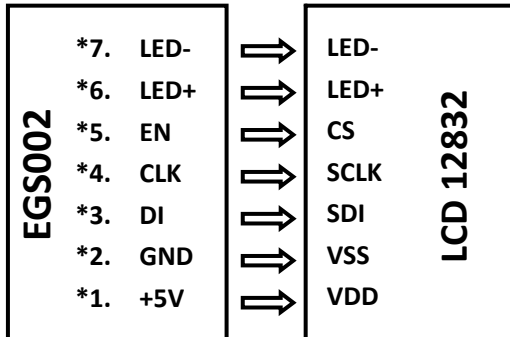


Figure 3-2. Connection between EGS002 and 12832 LCD Figure 3-3. 12832 LCD Display

Note:

There are many modules of LCD in the market. EG8010 supports majority of 12832 LCD based on control IC ST7920. Different LCDs may vary a little in pin map, name or description; user can obtain information online.

- **LCD3220 Connection Diagram:**

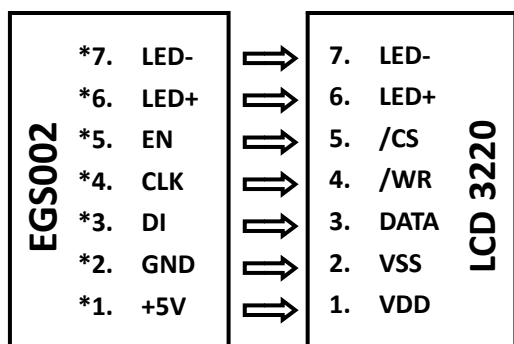


Figure 3-4. Connection between EGS002 and LCD3220



Figure 3-5. LCD3220 Display

4. Testing

EGS002 Driver Board Testing

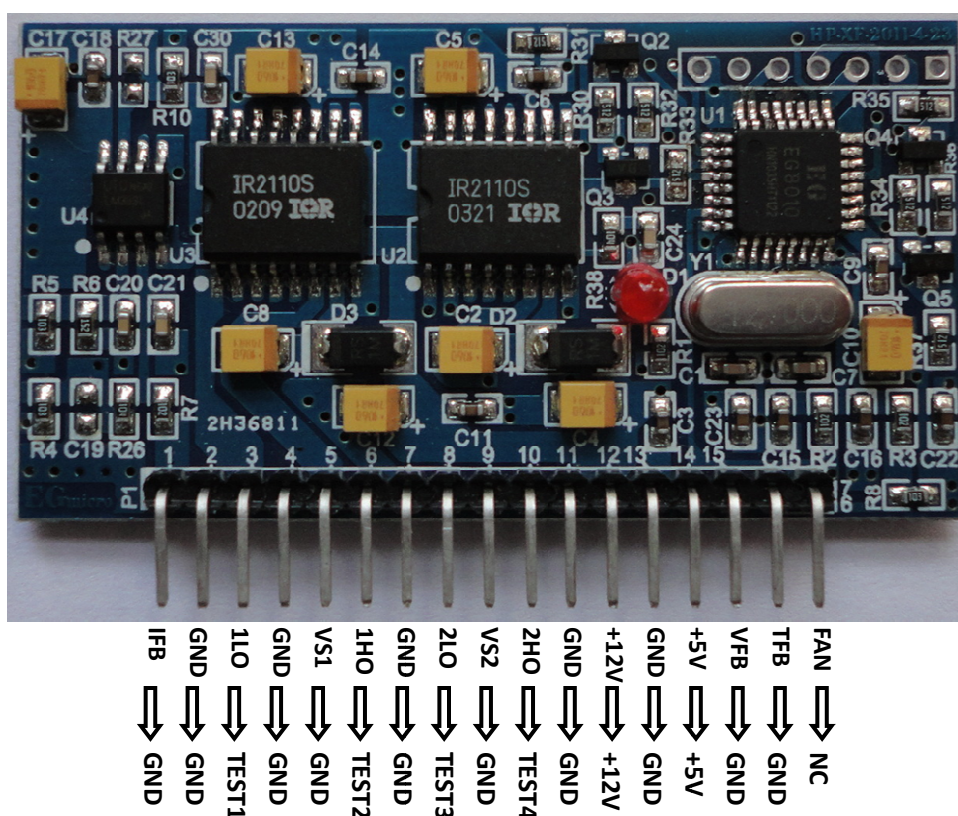


Figure 4-1. EGS002 Driver Board Connection Diagram

EGS002 Driver Board Testing

- 1) Connect IFB, VS1, VS2, VFB and TFB to the ground during testing.
- 2) Connect DC 5V to pin +5V and DC 12V (voltage can be between 12V and 15V) to pin +12V
- 3) Connect oscilloscope to TEST1 to TEST4 to observe waveforms. TEST1 and TEST2 outputs

fundamental frequency square wave, which is shown as CH1 blue waveform in figure 5-3. TEST3 and TEST4 outputs unipolar modulation wave. When TEST3 and TEST4 are connected to RC filter, it will output waveform shown as CH2 red waveform in figure 5-3.

- 4) Because pin VFB is grounded, undervoltage protection is going to turn on in 3 seconds. Test1~Test 4 will all shut down; LED blinks four times, off for 2 seconds and keep cycling. When EGS002 is connected to the power supply again, user can observe waveforms for another 3 seconds.

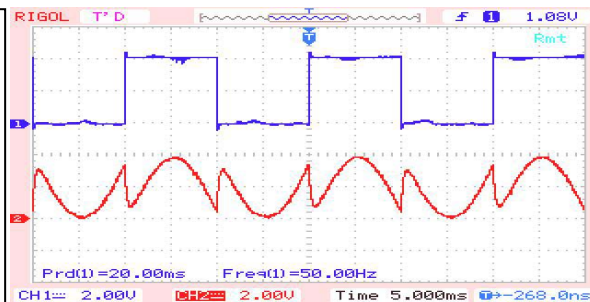
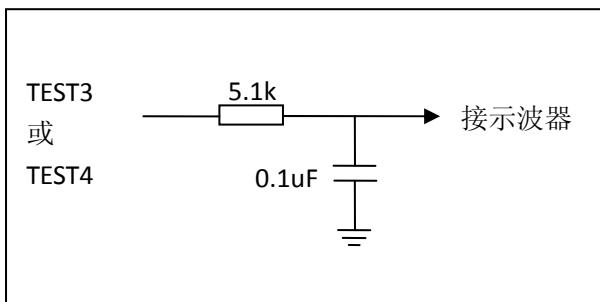


Figure 4-2. EGS002 SPWM RC filter circuit

Figure 4-3. Output waveform of TEST 2 and TEST3

5. Dimension Diagram

EGS002 Dimension Diagram

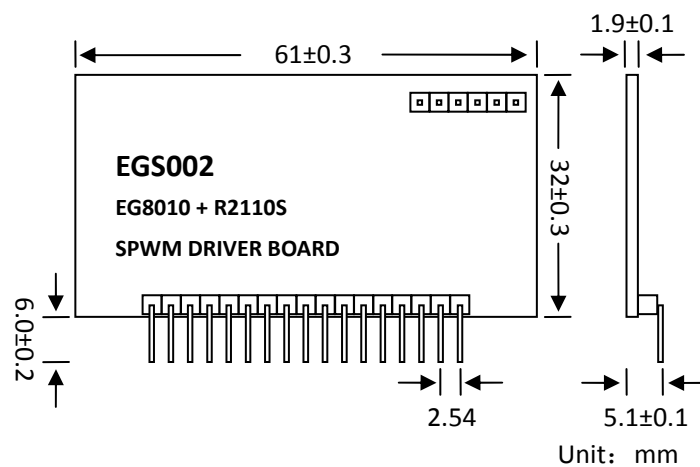


图 5-1. EGS002 Driver board dimension diagram