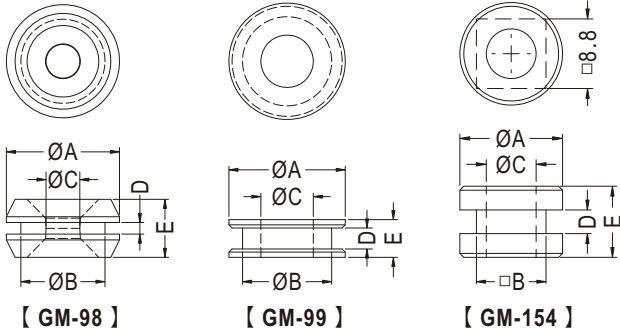
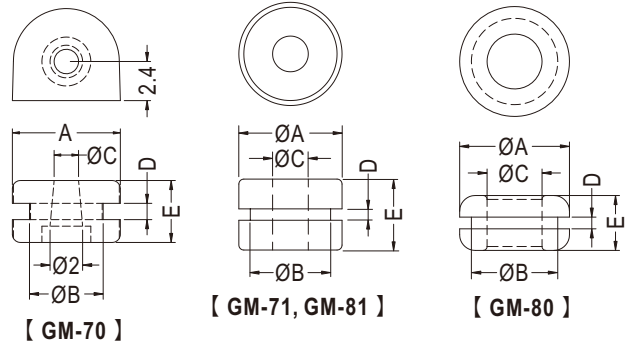


抗震線環 ANTI-VIBRATION GROMMET

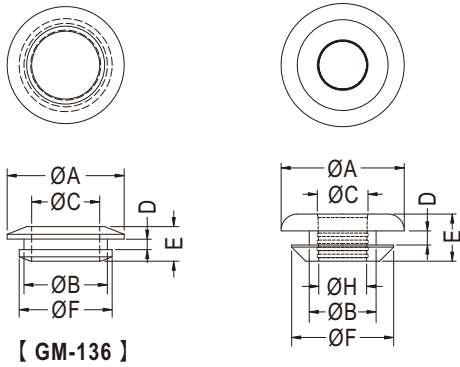
用途：用於硬碟及精密零件之防震。



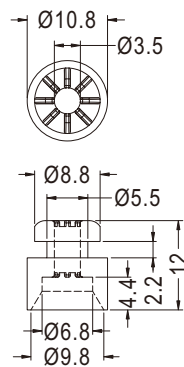
- Material: NBR/Rubber/Silicon Rubber
- Color: Black
- Unit: mm



Part No.	A	B	C	D	E	Package
GM-70	6.63	4.52	1.5	1.0	3.8	1000
GM-71	8.0	6.0	4.1	1.1	3.4	2000
GM-80	14.0	11.0	7.0	1.5	7.0	1000
GM-81	12.0	9.0	6.0	1.0	9.0	
GM-98	7.8	5.8	2.33	1.2	4.0	
GM-99	11.1	8.5	5.0	2.0	3.6	
GM-154	13.0	8.8	6.3	3.0	9.0	



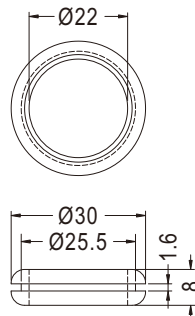
Part No.	A	B	C	D	E	F	H	Package
GM-67	17.5	9.5	7.2	2.0	6.7	14.5	6.8	1000
GM-73	17.5	9.5	6.8	2.0	6.7	14.5	6.3	
GM-74	18.5	10.5	8.2	2.0	6.7	15.5	7.8	
GM-75	19.5	11.5	9.2	2.0	6.7	16.5	8.8	
GM-77	21.8	13.8	11.2	2.0	6.7	18.8	10.8	
GM-82	17.5	9.5	6.2	2.0	6.7	14.5	5.8	
GM-96	17.5	11.5	7.2	2.0	6.7	16.5	6.8	
GM-97	17.5	11.5	7.6	2.0	6.7	16.5	7.2	
GM-136	12.0	8.5	6.7	1.1	3.6	9.5		2000



Part No.	Package
GM-92	1000



- Material: TPR
- Color: Black
- Unit: mm



Part No.	Package
GM-131	250