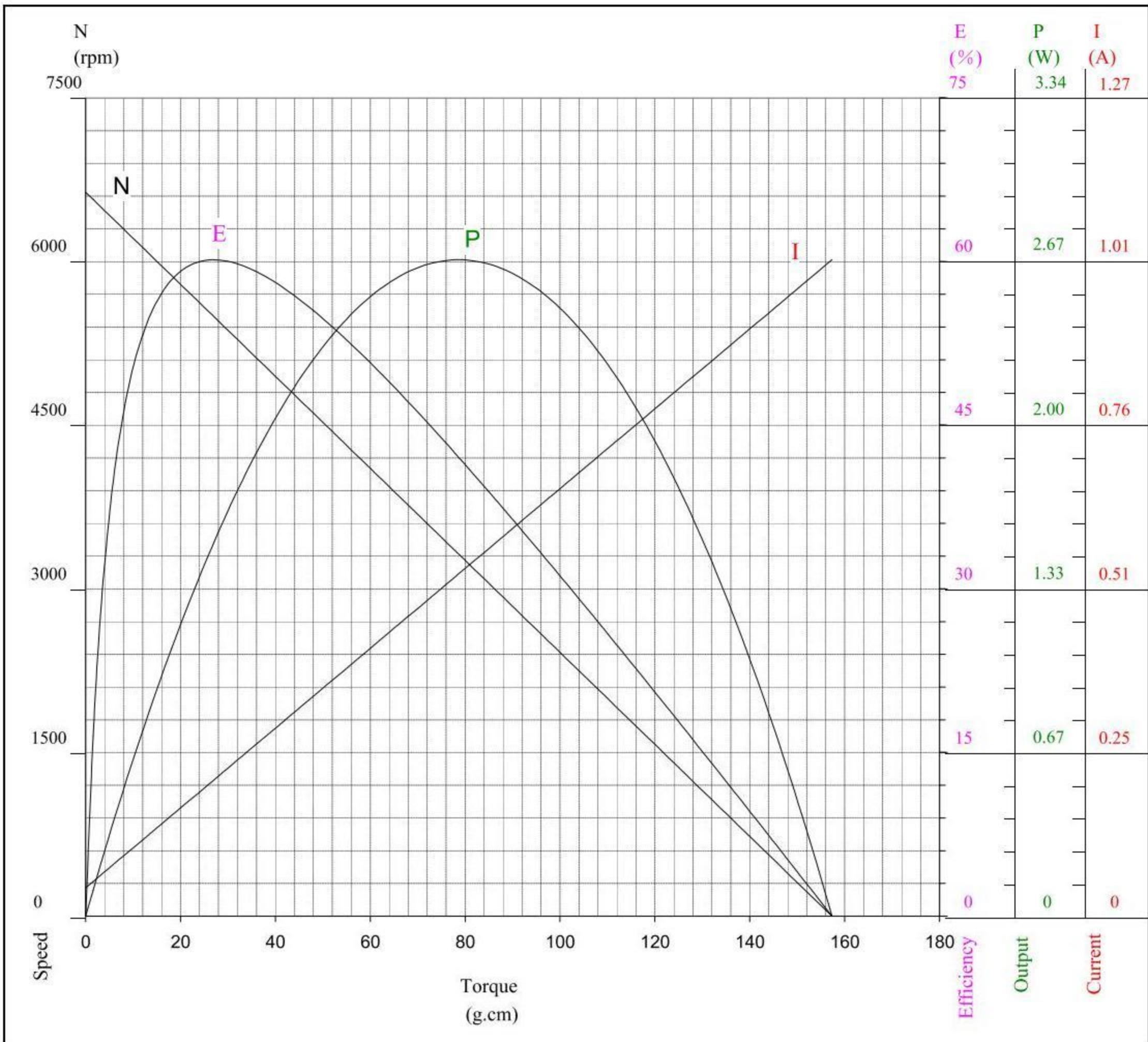
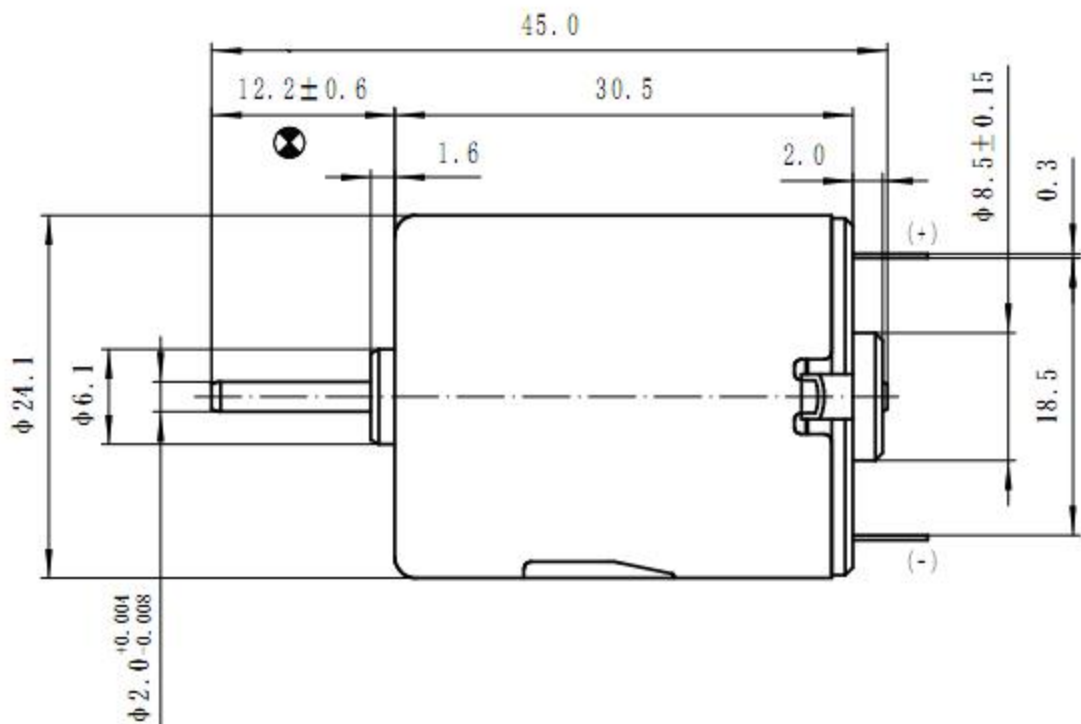


Model/Winding	Voltage	No Load		At Maximum Efficiency				At Maximum Output				Stall	
		Current	Speed	Current	Speed	Torque	Efficiency	Current	Speed	Torque	Output	Current	Torque
	V	A	rpm	A	rpm	g.cm	%	A	rpm	g.cm	W	A	g.cm
RP280-CN-12280	12.0	0.044	6636	0.211	5496	27.0	60.2	0.530	3318	78.7	2.68	1.017	157.3





DIRECTION OF ROTATION

