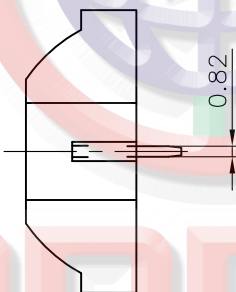
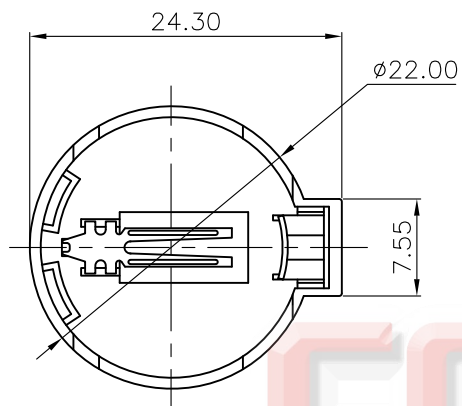


REV.	DESCRIPTION	DRAWN	CHECKED	APPROVED
A	NEW RELEASE	YCH 08/07/12'	~	LJC 08/07/12'
B	DIM. CHANGE	JLZ 12/11/14'	~	LJC 12/11/14'
C	MATERIAL CHANGE	JLZ 04/24/15'	~	



**NOTE:**

**1. Materials:**

1.1 Base: Thermoplastic, UL94 V-0, Color of black.  
Temp. Range: -40°C to +105°C.

1.2 Positive & Negative Contacts: Copper Alloy.

**2. Specification:**

2.1 Dielectric Withstanding Voltage: AC 500V AC.

2.2 Insulation Resistance: 1000MΩ min.

2.3 Contact Resistance: 100mΩ Max.

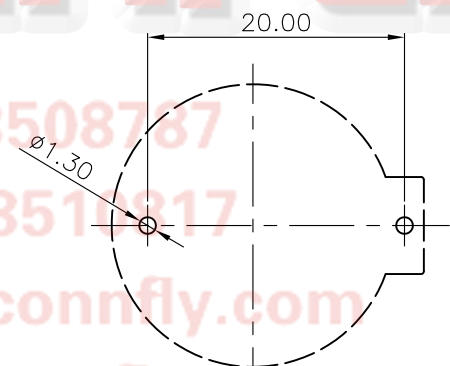
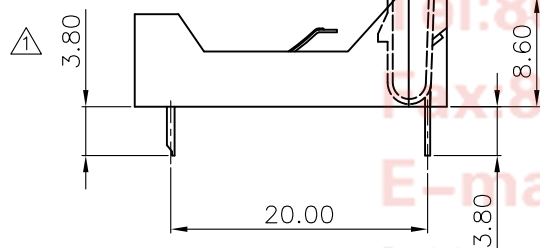
**3. Part Number Code:**

DS1092-04 - X X X

Housing material:  
P: PA66

Contact plating:  
6: Tin

Housing color:  
B: Black



Recommend PCB Layout

Tolerance=±0.05

Tel: 86-574-63508787  
Fax: 86-574-63514817  
E-mail: sale@connfly.com  
http://www.connfly.com  
Add: East Industry Zone, KuangYan  
Town Cixi Ningbo China  
P.C: 315333

GENERAL TOLERANCE		ANGLE TOLERANCE		PROJECTION		TITLE	2032 Lithium Coin Cell Battery Holders Horizontal insert type			
X.	±0.60	X.	±5°	UNITS	mm					
.X	±0.38	.X	±3°	SHEET SIZE	A4	SERIES	DS1092-04 Series			
.XX	±0.25	.XX	±2°							
DRAWING TYPE		CUSTOMER			晨翔电子有限公司 <b>CONNFLY CONNFLY ELECTRONIC CO. LTD</b>					
SCALE		1:1	SHEET						10F1	
DRAWING NO.		C-DS1092-04-XXX-C								