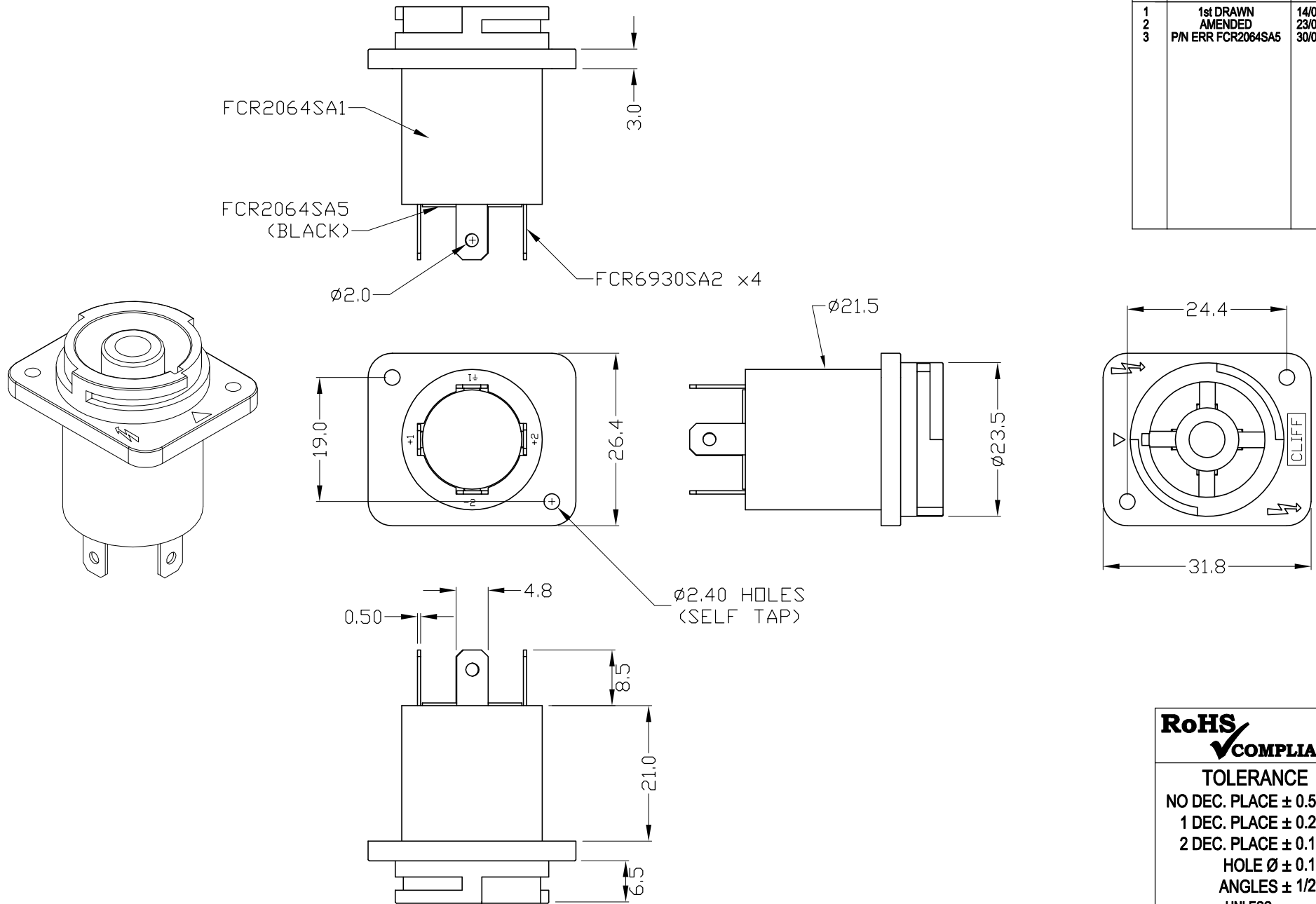


ISS.	AMEND	DATE
1	1st DRAWN	14/05/04
2	AMENDED	23/06/04
3	P/N ERR FCR2064SA5	30/06/14



RoHS
COMPLIANT

TOLERANCE
 NO DEC. PLACE ± 0.50
 1 DEC. PLACE ± 0.20
 2 DEC. PLACE ± 0.10
 HOLE Ø ± 0.10
 ANGLES ± 1/2°
 UNLESS OTHERWISE STATED

Cliff Electronic Components Ltd.

DIMENSIONS IN MILLIMETERS UNLESS OTHERWISE STATED. WORK TO DIMENSIONS. REMOVE ALL BURRS. IF IN DOUBT ASK.

3rd ANGLE PROJECTION:

DO NOT SCALE

76 Holmethorpe Avenue, Holmethorpe Industrial Estate,
 Redhill, Surrey, RH1 2PF, England, UK
 Tel: 01737-771375 Fax: 01737-766012 Website: www.cliffuk.co.uk

MATERIAL: **COMPOSITE**
 FINISH: **CLEAN**

TITLE: **4 POLE CLIFFCON SOCKET 4PC/S BLACK**

THE CONTENTS OF THIS DOCUMENT MUST NOT BE COPIED OR DISCLOSED TO A 3rd PARTY WITHOUT WRITTEN PERMISSION OF CLIFF UK. © 2004

DRAWN: **D.P.J.**

APPROVED: **R.W.T.**

DRWG. No. **FCR2064**

FORM: **A4DRWGH**