

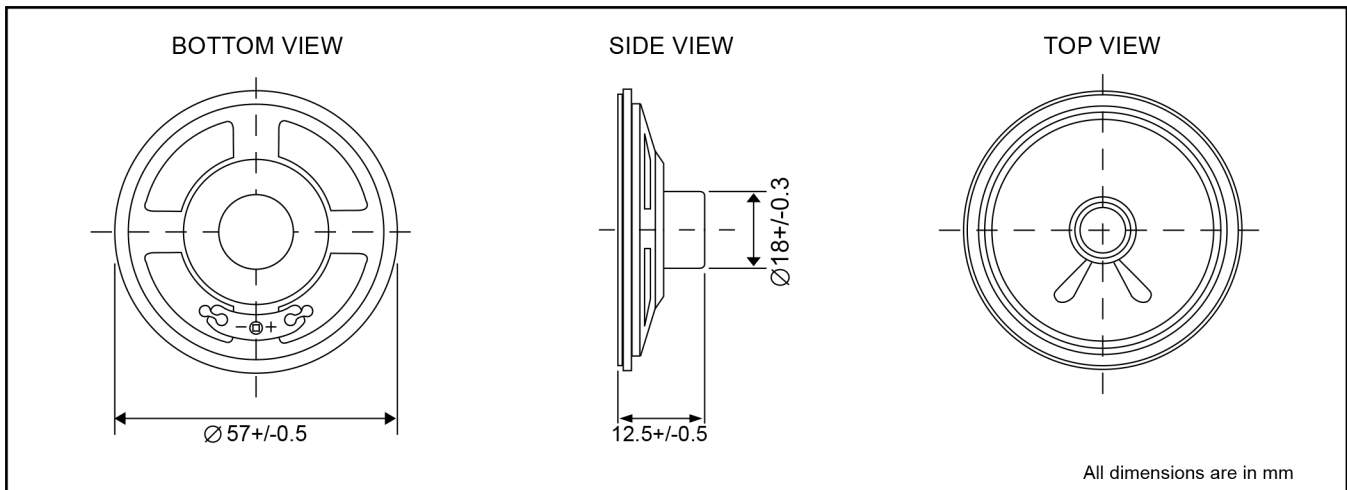
Loud Speaker

LSI57 Series



DIMENSIONS

Date : 10 Sep., 2010



Ref no. : RB084-R



ELECTRICAL SPECIFICATIONS

Model No.	LD-SP-5708-A
Diameter	57 +/- 0.5 mm
Height	12.5 +/- 0.5 mm
Back Dia.	18 +/- 0.3 mm
Output S.P.L.	86 +/- 3 dB [At 1W, 0.1m, Ave. at 0.59K, 0.8K, 1K, 1.1K Hz]
Impedance	8 ohm +/- 15% [At 1000 Hz, 1 V]
Resonant Freq. [Fo]	380 Hz +/- 20 % [1V without baffle]
Freq. Response	Fo ~ 5K Hz
Rated Input Power	0.5 W
Max. Input Power	0.8 W
Buzzer & Rattles	Must Be Normal [Sine Wave 2.0 V, 50 ~ 50 KHz]
Load Test	Must Be Normal [White Noise 0.5 W, 96 Hours]
Heat Test	Must Be Normal [55 +/- 2 °C, 20 ~ 25% R.H. 96 Hours]
Cold Test	Must Be Normal [-25 +/- 2 °C, 96 Hours]
Humidity Test	40 +/- 2 °C, 90 ~ 95% R.H. 96 Hours
Case Material	Metal
Magnet	Internal Magnet - NdFeB
Operating Temperature	-20 ~ +50 °C
Storage Temperature	-25 ~ +55 °C