

# 按钮开关

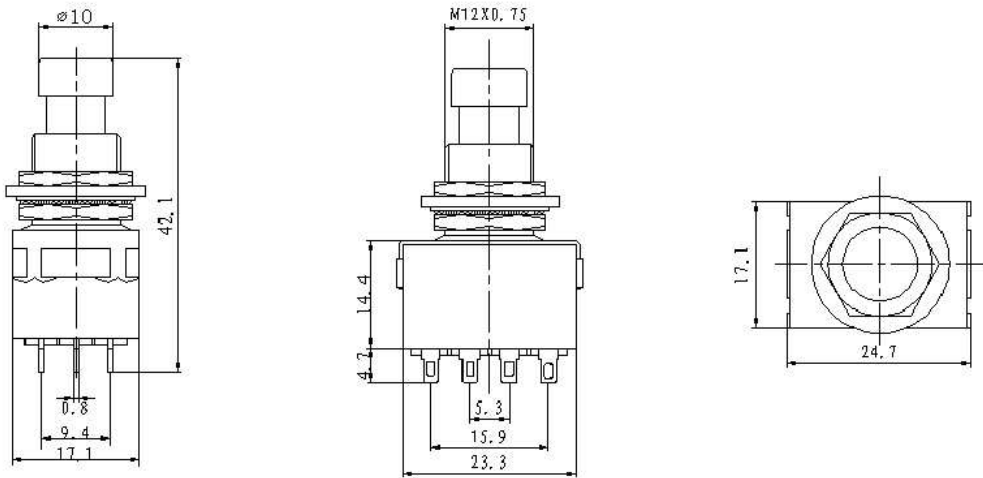
## Push-Button Switch

型号(TYPE): PBS-24-402

### 技术特性 (Specification)

1. 规格 (Rating): 6A 125V AC/3A 250V AC; 4A 30V DC
2. 接触电阻 (Contact R): 30mΩ (Max)
3. 绝缘电阻 (Insulation R): 500V DC 100MΩ (Min)
4. 耐电压 (Dielectric Strength): AC 1000V/1 minute
5. 电气寿命 (Electrical Life): 10,000 Cycles

### 外型图 (Outline Drawing)



### 安装尺寸 (Mounting)

