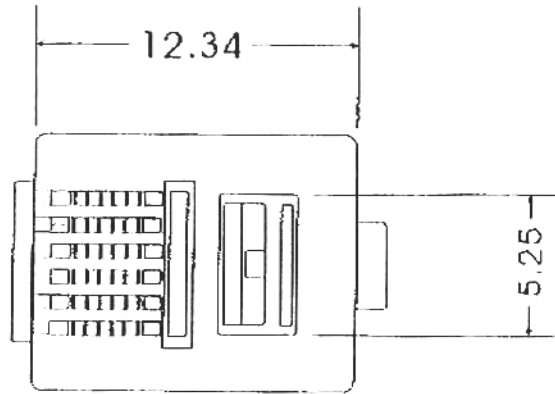
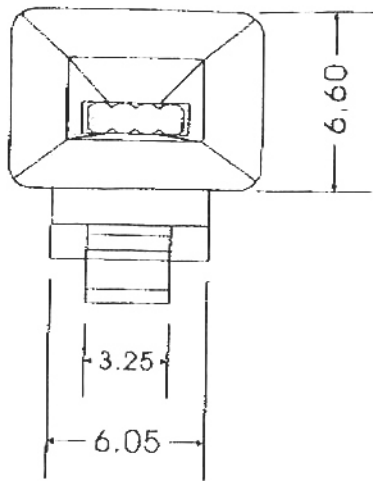


**WITH FLAT CABLE**



**SPECIFICATIONS:**

**1.ELECTRICAL:**

UL APPLICATIONS: 250 VOLTS AC MAX., AT 2 AMPS.  
 DIELECTRIC WITH STANDING VOLTAGE : 500 VOLTS AC.  
 INSULATION RESISTANCE: 500  
 TERMINATION: RESISTANCE 35 MEGAOHMS.

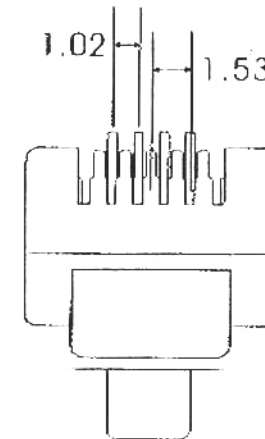
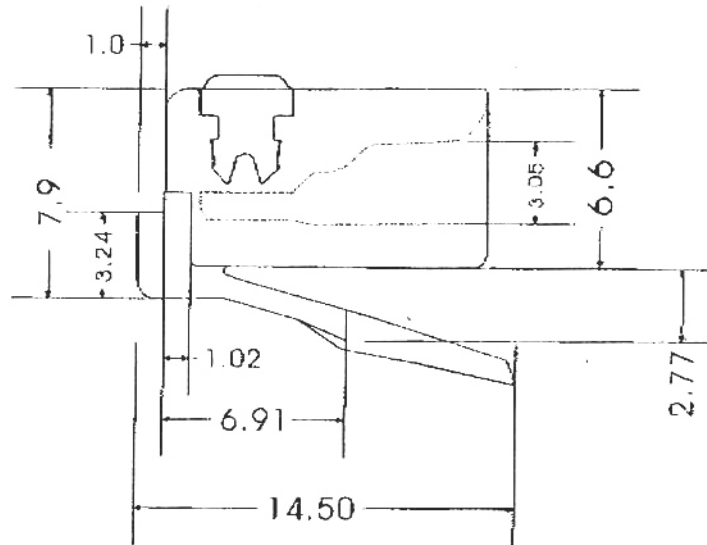
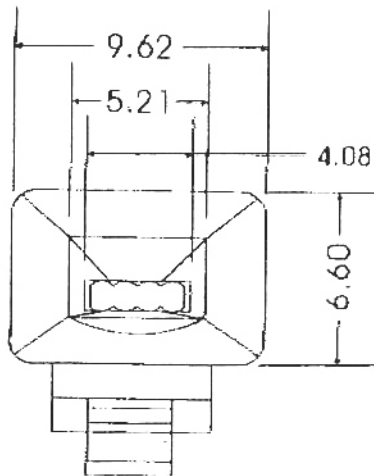
**2.MECHANICAL:**

CABLE-TO-PLUG TENSILE STRENGTH : 20 lbs (89N) MIN.  
 DURABILITY : 2000 MATING CYCLES.

**3.MATERIAL & FINISH:**

HOUSING: POLYCARBONATE, UL94V-0 OR UL94V-2.  
 COLOR : (TRANSPARENT COLOR AVAILABLE).  
 CONTACT BLADE: PHOSPHOR BRONZE  
 CONDUCTOR : STRANDED, 24-26 AWG.  
 GOLD PLATING: 3-50u" ARE AVAILABLE

**WITH ROUND CABLE**



UNIT  
MM

SCALE  
2 : 1

PART NAME

MODULAR PLUG 6P4C

2000/05/14

DWG.  
TINA

APPROVED  
SHELLEY

APPD.

CKD.

TOLERANCE

± 0.5

PART NO.

REV.

A