
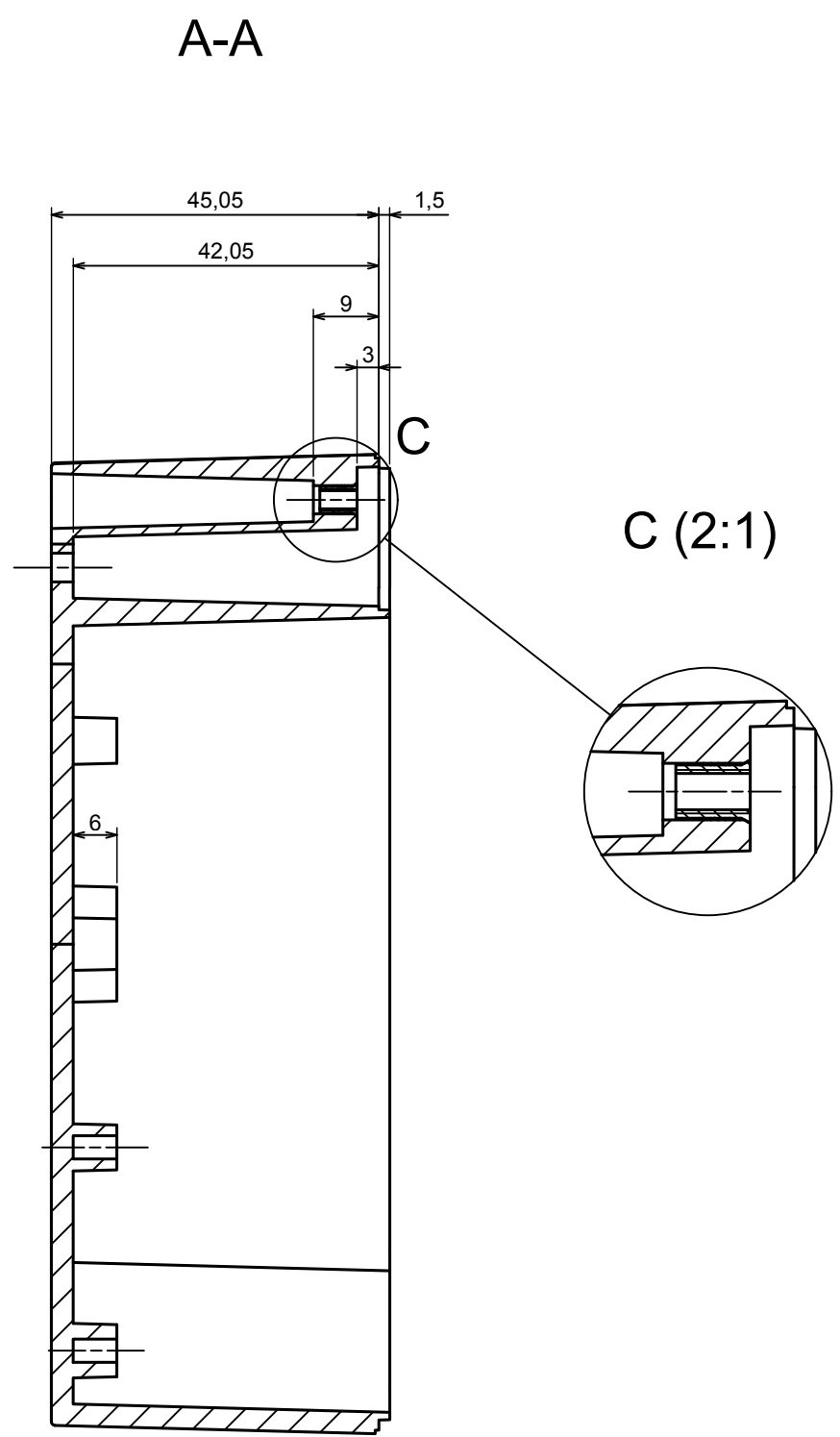
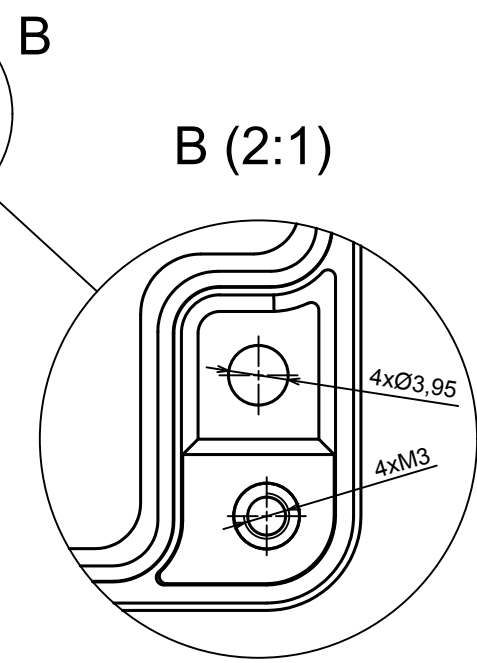
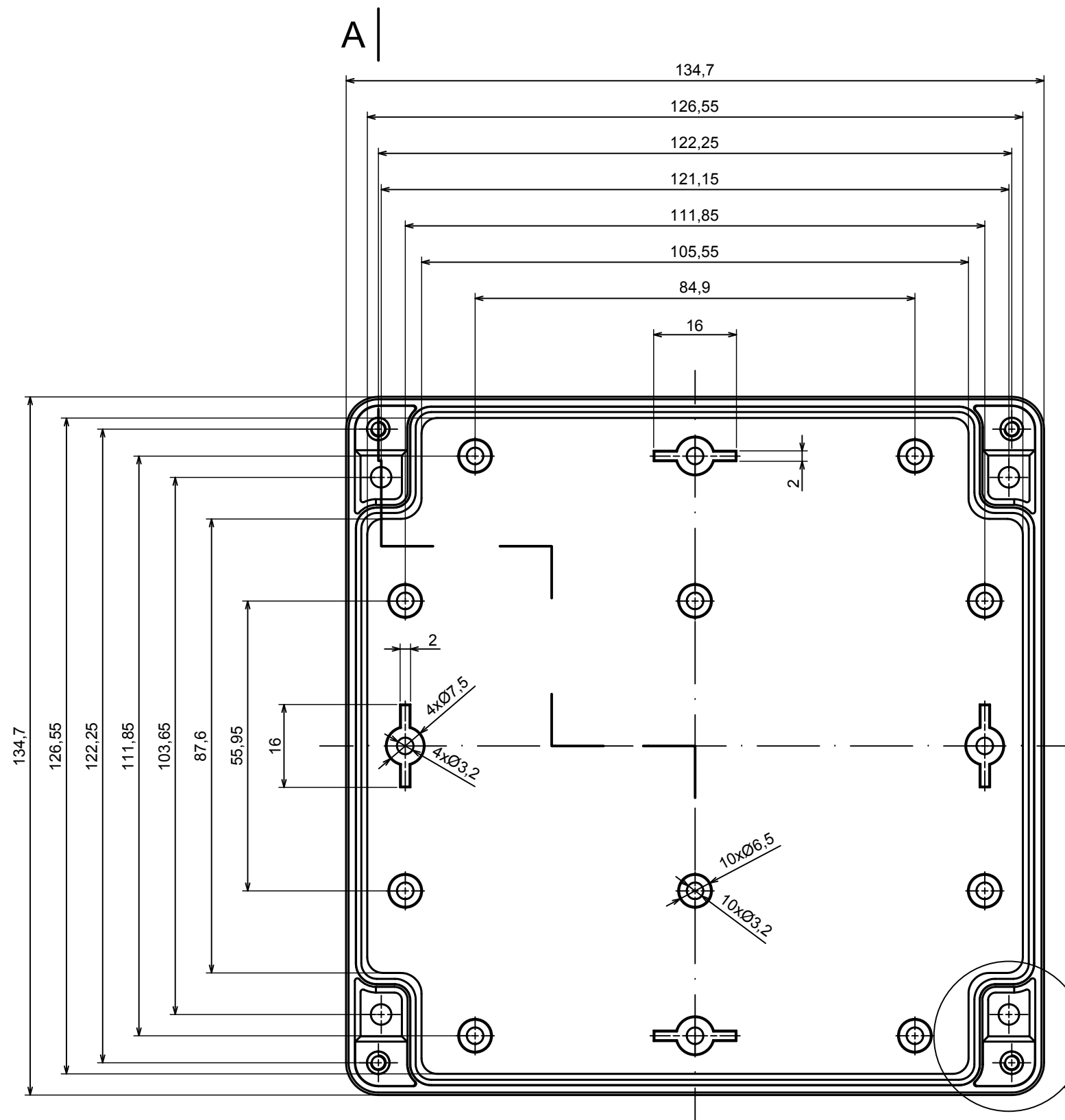
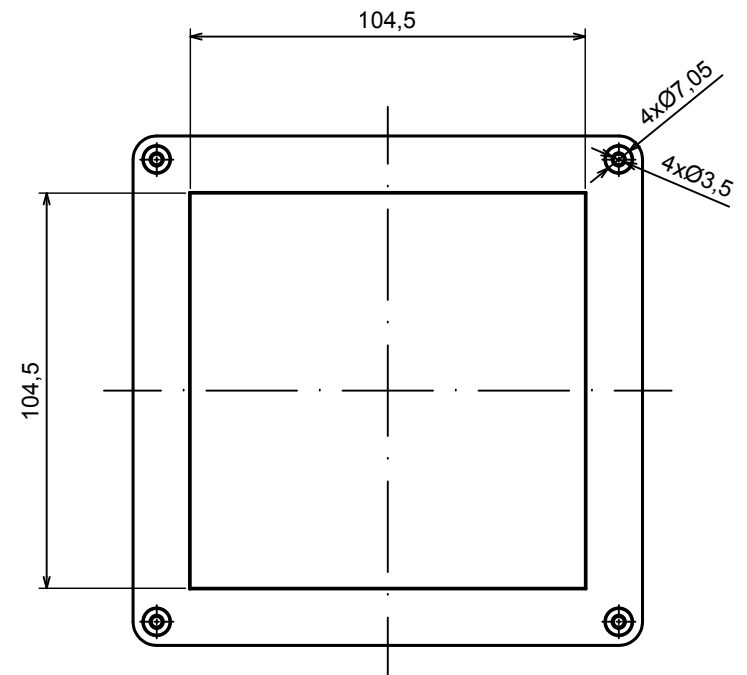
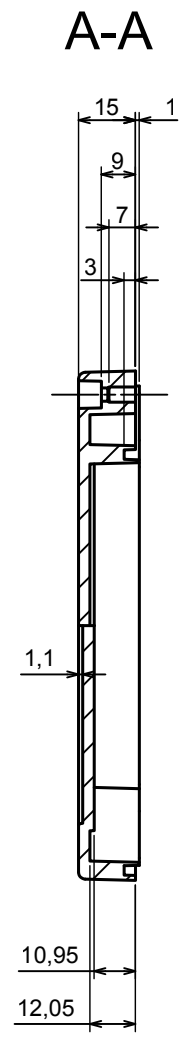
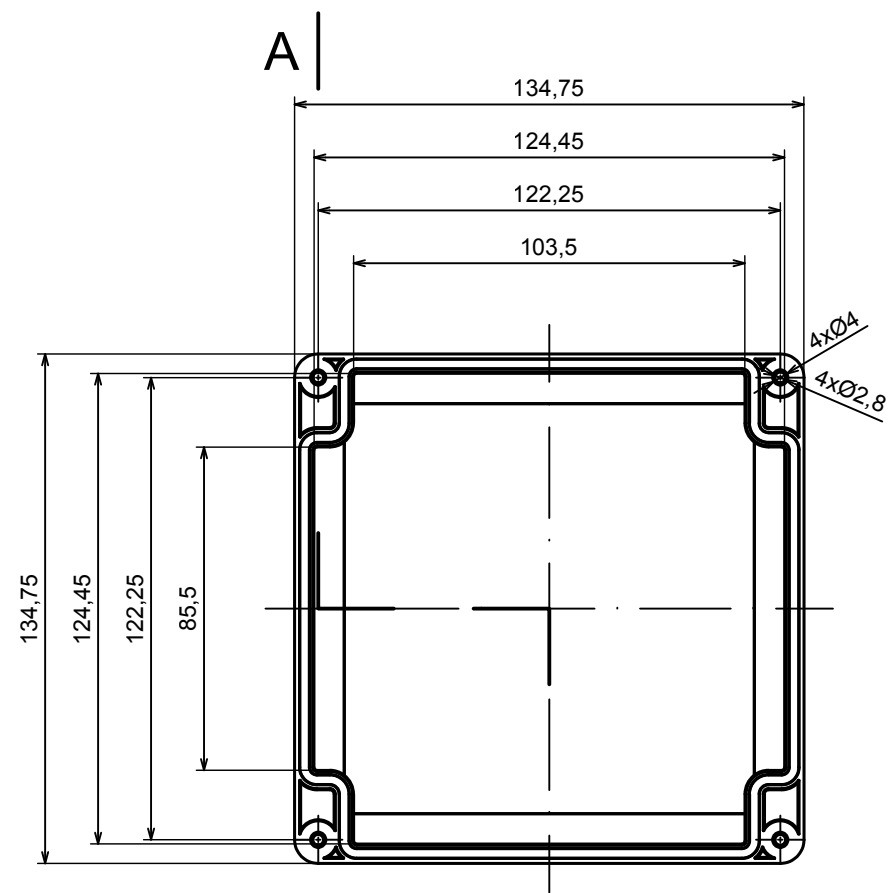


All rights reserved, Copyright Kradox 2018		
Product model	Enclosure ZP135.135.60J TM - Assembly	
Format: A3	Material: PC, ABS	
Scale 1:1	Tolerance: +/- 0.6	




All rights reserved, Copyright Kradox 2018	
Product model	Enclosure ZP135.135.60J TM - Base ZP135.135.45J TM
Format: A3	Material: PC, ABS
Scale 1:1	Tolerance: +/- 0.6





A |

All rights reserved, Copyright Kradox 2018		
Product model	Enclosure ZP135.135.60J TM - Cover ZP135.135.15J	
Format: A3	Material: PC, ABS	
Scale 1:2	Tolerance: +/- 0.6	