

zortrax M200



TOP CHOICE FOR
reliability.

the **RELIABLE.**

While creating Zortrax M200, we focused on features deemed the most important – reliability, efficiency and precision. Soon these three aspects became hallmarks of M200. The printer was integrated with the Zortrax Ecosystem to provide you with high dimensional accuracy, repeatability and operating ease. Large workspace and a wide selection of materials strengthen its value as a comprehensive, in-house 3D printer. We didn't have to wait long to see how Zortrax M200 wins hearts of thousands of users. Now, you can see it for yourself.

quality despite quantity

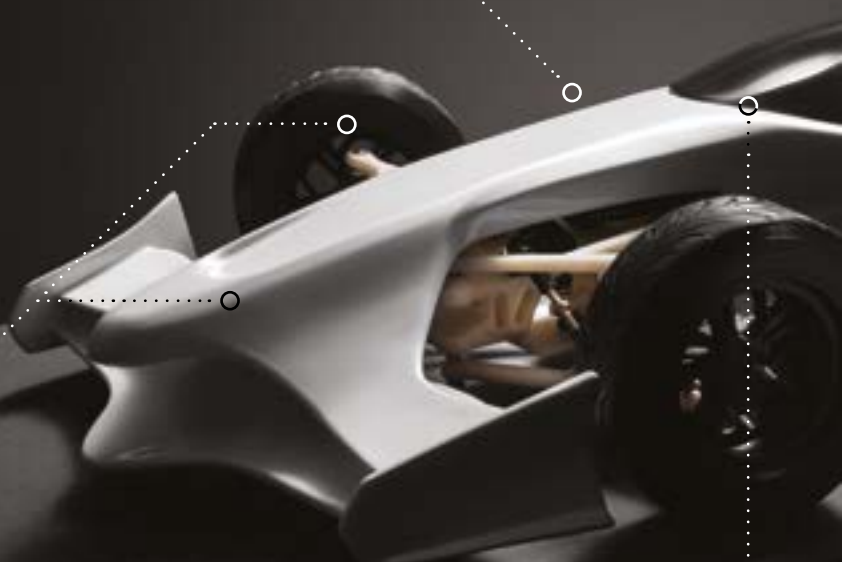
precise and flawless 3D prints,
always ready on time

variety of **properties**

produce elements of your project using
materials with different properties
- depending on what you need

dimensional **accuracy**

elements printed separately
fit together perfectly



at your **CONVENIENCE.**

To ensure the quality of your prints, our 3D printers, software and materials work in an integrated system. When you choose Zortrax M200 3D printer, you don't have to worry about the compatibility – just open the box and start printing.



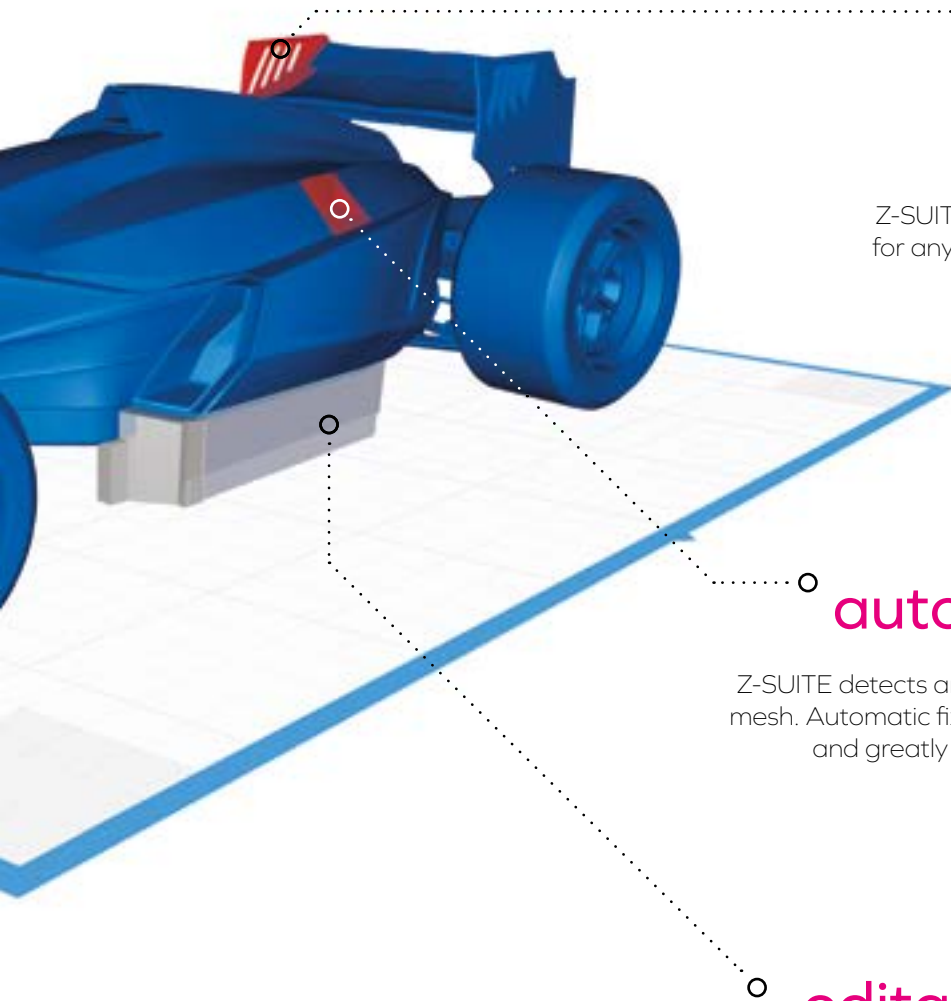
always
ACCURATE.

A perfectly matched 3D printer, software and materials guarantee high-quality 3D prints. **The Zortrax M200 carefully reproduces the dimensions of every 3D model** – which means that you can print detailed elements with the certainty that each copy will be identical.

The frame of remote-controlled car printed on Zortrax M200 with Z-PCABS. The body created on Zortrax M300 with Z-HIPS material.

power of **Z-SUITE 2.**

Z-SUITE, an integral part of Zortrax Ecosystem, is attuned to all Zortrax products. Our dedicated software offers a wide range of both automatic and user-controlled tools, while ensuring a user-friendly environment of work. Access to all the features is straightforward and easy to memorize. Work on multiple projects simultaneously, save and load your 3D printing profiles and smoothly manage the progress step by step.



thin walls analysis

Z-SUITE software checks your models for any parts that might be too thin to be 3D printed successfully.

auto mesh repair

Z-SUITE detects and repairs all defects in model's mesh. Automatic fixing takes place during loading and greatly reduces the risk of failed prints.

editable support

Take the full control over model's automatically generated support. Easily add, remove, change their positions and size using three different types of support (point, face and edge). Create offsets for more precise and effortless removal.



be a **COMPETITOR.**

Zortrax 3D printing solutions will give your company competitive edge on the market. Stop hesitating and get:

- accelerated and facilitated product development
- significantly lower prototyping costs
- increased production flexibility
- easy product customization

Discover the Zortrax M200 at www.zortrax.com

Printing

Technology	LPD (Layer Plastic Deposition)
Layer resolution	90-390 microns
Minimal wall thickness	400 microns
Platform levelling	Automatic platform points height measurement

3D printer

Build volume	200 x 200 x 180mm (7.9 x 7.9 x 7.1 in)
Material container	Spool
Material diameter	1.75 mm (0.069 in)
Nozzle diameter	0.4 mm (0.016 in)
Support	Mechanically removed - printed from the same material as the model
Extruder	Single
Connectivity	SD card (included)
Materials	M Series dedicated materials (recommended)
External materials	Applicable

Temperature

Maximum printing temperature (extruder)	290°C (554°F)
Build platform	Heated
Maximum platform temperature	105°C (221°F)
Ambient operation temperature	20° - 30°C (68°-86° F)
Storage temperature	0° - 35°C (32°-95° F)

Electrical

AC input	110 V ~ 4 A 50/60 Hz 240 V ~ 1.7 A 50/60 Hz
Maximum power consumption	200 W

Software

Software bundle	Z-SUITE
Supported file types	.stl, .obj, .dxf, .3mf
Supported operating systems	Mac OS X / Windows 7 and newer versions

Physical dimensions

Without spool	350 x 360 x 505 mm (13.8 x 14.2 x 19.9 in)
With spool	350 x 440 x 505 mm (13.8 x 17.3 x 19.9 in)
Shipping box	460 x 470 x 570 mm (18.1 x 18.5 x 22.4 in) 25 kg (55.1 lbs)

zortrax

office:

office@zortrax.com

sales department:

sales@zortrax.com

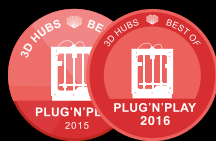
technical support:

support@zortrax.com

find a local Reseller: zortrax.com/resellers

more info at: zortrax.com

©2017 Zortrax S.A. All rights reserved.



Best Plug & Play 3D Printer
for 2015 and 2016



Best Overall
3D Printer
2nd Place Award



Best Desktop 3D
Printer in Prosumer
Category



Top Professional
Desktop 3D Printer
of 2017



Best Personal 3D printer (FFF)