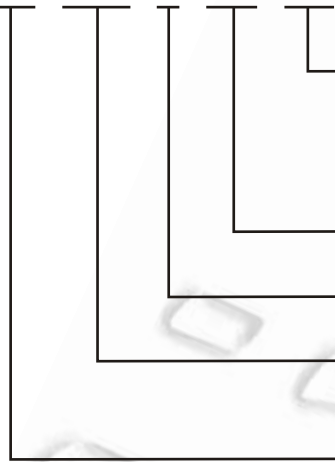




Specification:

Contact: Brass (CuZn), Cu/Ni, tin plated
 Terminal screw: Steel galvanized and chromated
 Insulator: Poly Butylene, Terephthlene,
 PBT (30% Glass Filled) (UL94V-0)
 Operating temperature: -40°C to 105°C
 Current rating: 12 A
 Resistance to tracking: 5 MW
 Dielectric strength: 2500 V
 Insulation withstanding voltage: 1500 VAC min.
 Rated voltage: 300 V
 Conductor size: 0.5 to 4 mm²

TB-3.5-P-2P-BL



Colour:

BL - blue
 GY - gray
 BK - black
 GN - green

No. of Poles

N - max. 24

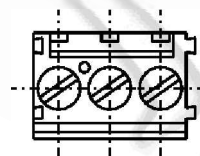
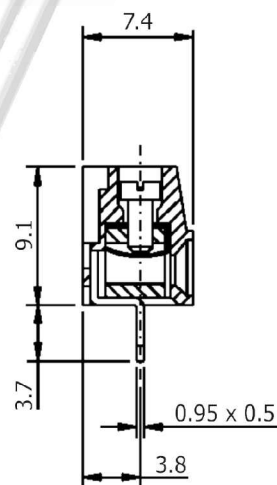
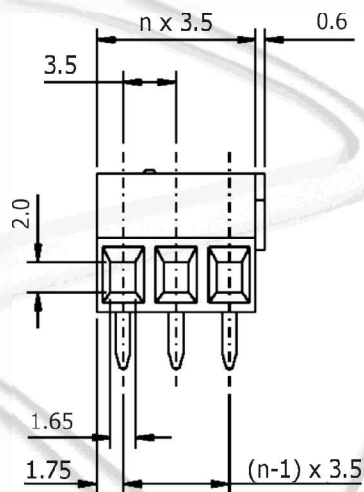
Front Wire Inlet Type:

P - Screw on Top

Pitch:

3.5 - 3.5 mm
 7.0 - 7.0 mm

Terminal Block



Recommended PCB holes diameter: \varnothing 1.2 mm to \varnothing 1.4 mm