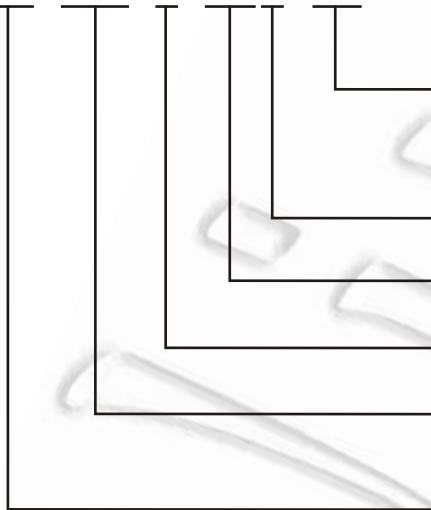




Specification:

Contact: Brass (CuZn), Cu/Ni, tin plated
Terminal screw: Steel galvanized and chromated
Insulator: Poly Butylene, Terephthlene,
PBT (30% Glass Filled) (UL94V-0)
Operating temperature: -30°C to 120°C
Current rating: 20 A
Resistance to tracking: 5 MW
Dielectric strength: 2500 V
Insulation withstanding voltage: 1500 VAC min.
Rated voltage: 300 V
Conductor size: 0.5 to 4 mm²

TB-5.0-P-2P2-GY

**Colour:**

BL - blue
GY - gray
BK - black

Height over PCB:

2 - 19 mm

No. of Poles

N - max. 24

Front Wire Inlet Type:

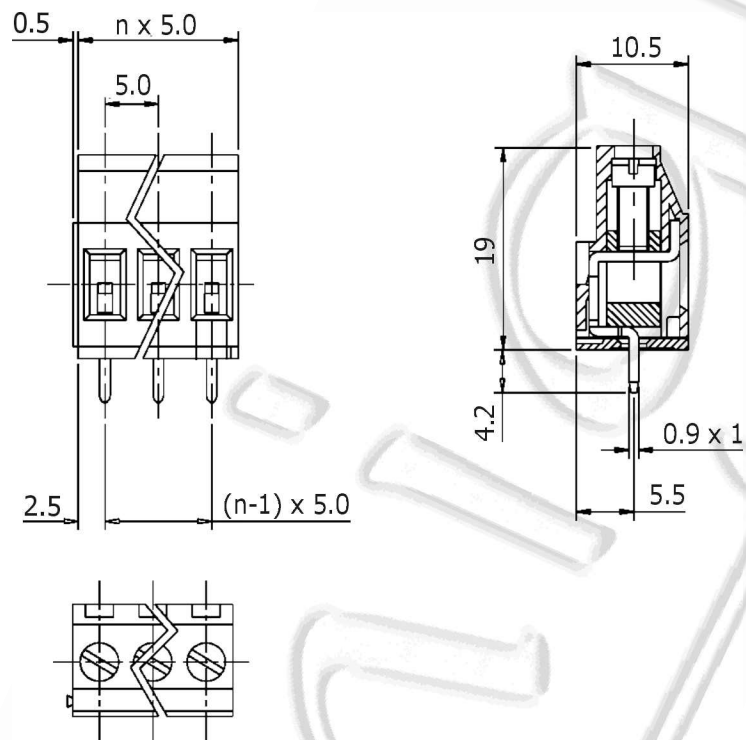
P - Screw on Top

Pitch:

5.0 - 5.0 mm
10 - 10.0 mm

Terminal Block

Ninigi



Recommended PCB holes diameter: $\varnothing 1.2$ mm to $\varnothing 1.4$ mm