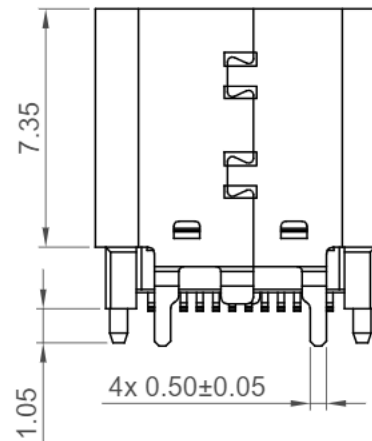
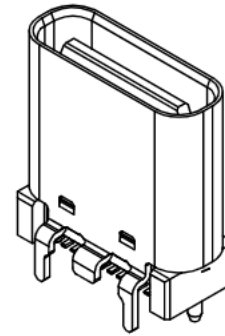


Section: A-A



### Specifications

#### Material

Insulator: LCP, UL 94V-0, Black  
 Contact: Copper Alloy (C1814), T=0.12mm  
 Mid Plate: Stainless Steel (SUS301), T=0.15mm  
 EMI Plate: Stainless Steel (SUS301), T=0.10mm  
 Shell: Stainless Steel (SUS304), T=0.30mm

#### Plating

Contact  
 Contact Area: 3u" Au over 50µ" min. Nickel  
 Solder Tails: Matte Tin over 50µ" min. Nickel  
 Shell: 30µ" min. Nickel  
 Mid Plate: Cleaning  
 EMI Plate: Cleaning

#### Electrical

Current Rating: 5.00A collectively for Vbus pins  
 6.25A collectively for GND pins  
 1.25A for A5/B5 pin  
 0.25A per pin for all other pins  
 Voltage Rating: 48V DC  
 Power Rating: 240W  
 Contact Resistance: 40mΩ max initial.  
 50mΩ max after test  
 Dielectric Withstanding Voltage: 100V AC  
 Insulation Resistance 100MΩ min

#### Mechanical & Environmental

Operating Temperature: -25°C to +85°C  
 Mating Force: 5 to 20 N.  
 Unmated Force: 6 to 20 N after test  
 Durability: 10,000 cycles

#### Ordering Grid

USB4115 - 03 - C
Request Samples and Quotation

Contact Plating: 03 = 3u" Gold  
 Packing Options: C = Tape & Reel with Cap (450 per reel)

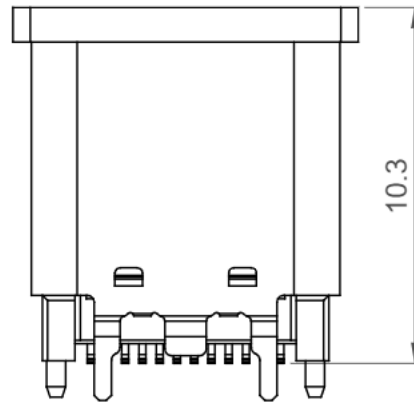
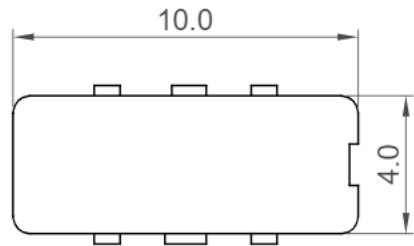
Part Number		Product Description	
USB4115		USB3.2 Gen2 Type C Receptacle, Vertical, SMT, H=9.25mm	
Drawing Date		28th September 2020	
By	CC	Tolerances (Except as Noted)	Units:
Detail	USB4115 B PCN	Length	Metric (mm)
Revision	B3	X.X ± 0.30	 2nd Angle Projection
Date	04/04/23	X.XX ± 0.25	
		X.XXX ± 0.10	



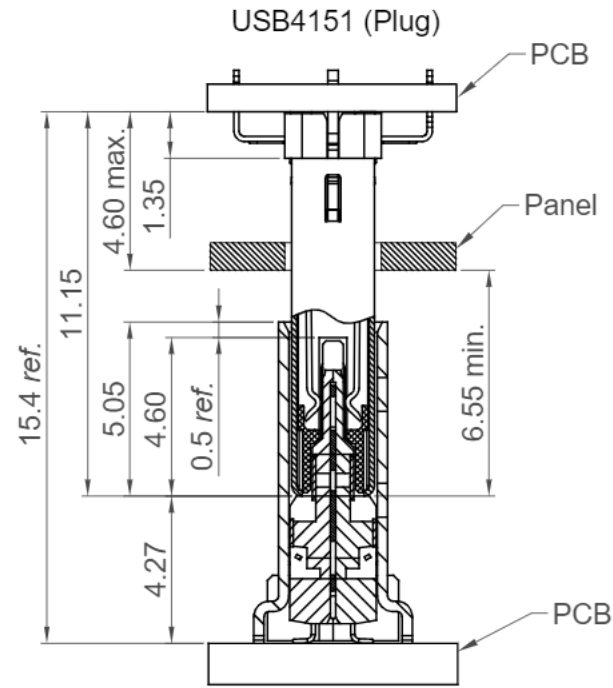
This drawing is confidential and copyright of Global Connector Technology, Ltd (GCT). This drawing must not be copied or disclosed without written consent. E & OE



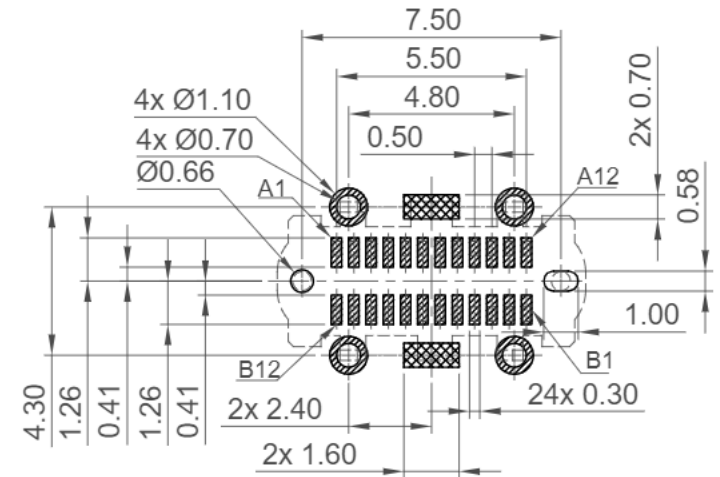
Not to Scale Drawn By CC Sheet No. 1/3



Cap Information



USB4115 (Receptacle)  
Plug and Receptacle Mating View



Recommended PCB Layout  
Thickness 1.20±0.10mm  
Tolerance: ±0.05mm

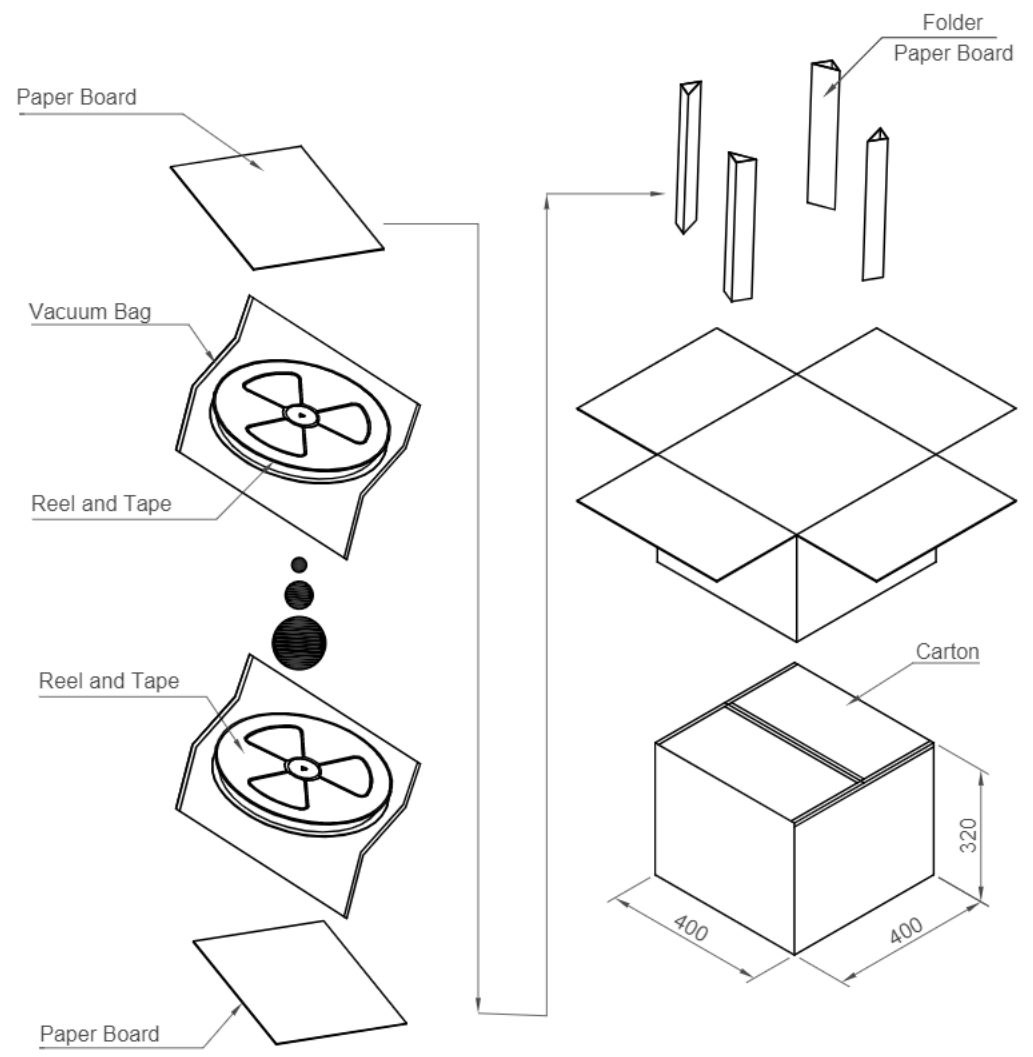
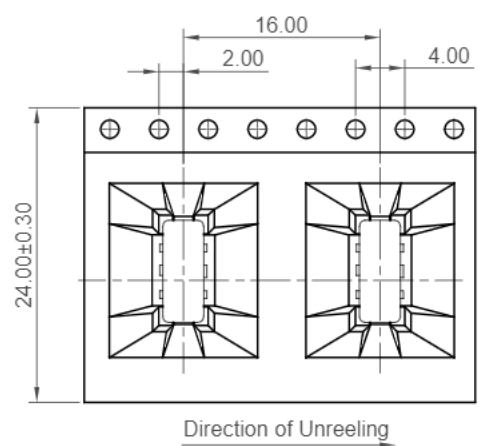
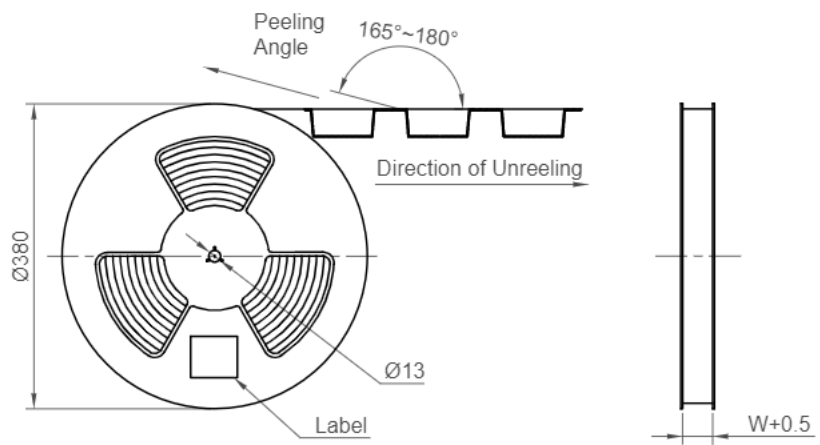
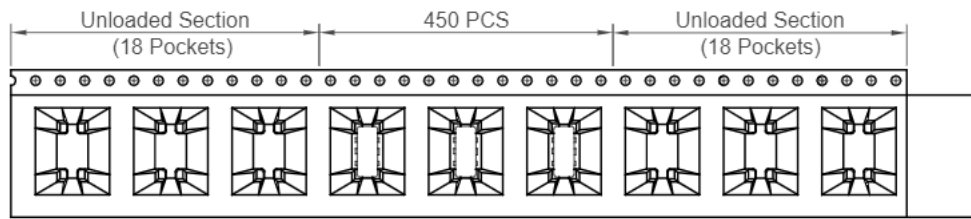
▨ Solder Area ▩ Keep Out Area □ Component Outline

Pin	Signal	Mating Sequence	Pin	Signal	Mating Sequence
A1	GND	First	B12	GND	First
A2	SSTXp1	Second	B11	SSRXp1	Second
A3	SSTXn1	Second	B10	SSRXn1	Second
A4	Vbus	First	B9	Vbus	First
A5	CC1	Second	B8	SBU2	Second
A6	Dp1	Second	B7	Dn2	Second
A7	Dn1	Second	B6	Dp2	Second
A8	SBU1	Second	B5	CC2	Second
A9	Vbus	First	B4	Vbus	First
A10	SSRXn2	Second	B3	SSTXn2	Second
A11	SSRXp2	Second	B2	SSTXp2	Second
A12	GND	First	B1	GND	First
SHELL		GND	SHELL		GND

Part Number USB4115		Product Description USB3.2 Gen2 Type C Receptacle, Vertical, SMT, H=9.25mm	
Drawing Date 28th September 2020			
By CC	Tolerances (Except as Noted) Length Angle	Units: Metric (mm)	  
Detail USB4115 B PCN	X.X ± 0.30		
Revision B3	X.XX ± 0.25		
Date 04/04/23	X.XXX ± 0.10		



Not to Scale Drawn By CC Sheet No. 2/3



Pcs / Reel	Reels / Carton	Total Quantity
450	10	4,500 pcs

Part Number USB4115		Product Description USB3.2 Gen2 Type C Receptacle, Vertical, SMT, H=9.25mm	
Drawing Date 28th September 2020			
By CC	Tolerances (Except as Noted) Length Angle	Units: Metric (mm)	  This drawing is confidential and copyright of Global Connector Technology, Ltd (GCT). This drawing must not be copied or disclosed without written consent. E & OE
Detail USB4115 B PCN	X.X ± 0.30	 2nd Angle Projection	
Revision B3	X.XX ± 0.25		
Date 04/04/23	X.XXX ± 0.10		



Not to Scale	Drawn By CC	Sheet No. 3/3
--------------	----------------	------------------